

Pipe and cable fastening with plastic pipe clamps



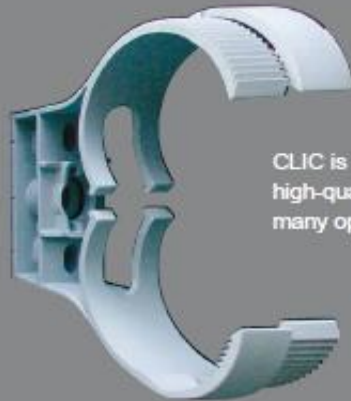
EF **Egli Fischer**
Fixing technology

Egli, Fischer & Co. Ltd.
Gotthardstrasse 6
8022 Zurich
Switzerland

Phone: +41 44 209 84 03
Fax: +41 44 209 84 90
www.clic-original.com
info@clic-original.com

Table of content	page
CLIC TOP for highest demands	7
CLIC TOP 8-64 mm (0.307" to 2.52") dark grey	8
CLIC spacers dark grey	9
CLIC base plate	9
DELTA nylon plug	9
Mounting examples	10
DELTA X multipurpose plug	11
Screw's	11
Hanger bolt	11
CLIC flange	13
TILCA flush anchor	13
Double-thread stud	13
Pan-head screw	13
TILCA fire resisting anchor	13
System selection for brick and concrete wall's	14
Mounting examples with spacer	16
Radiating cable fastening	17
CLIC TOP 15-47 mm black	17
CLIC spacers black square base	17
CLIC spacers black round base	17
Mounting examples with spacer square base	18
Mounting examples with spacer round base	19
Cable hanger stainless steel 1/2" - 1 5/8"	21
System selection for spacer solutions	22
CLIC Top colours white and red	
CLIC TOP white 16 - 35 mm	24
CLIC TOP red 25 and 28 mm	24
CLIC TOP large diameters 63 - 127	
CLIC TOP 63 - 127 mm dark grey	25
CLIC spacers dark grey for CLIC size 63 - 127 mm dark grey	26
Mounting examples for CLIC 63 - 127 mm	27
System selection for spacer solutions	27
Technical data sheet CLIC Top	28
CLIC for inhouse applications	34
CLIC 8-64 mm (0.307" to 2.52") light grey	35
Mounting examples	35
CLIC 63 - 127 mm for inhouse applications	36
Accessories for CLIC size 8 - 64 mm light grey	38
CLIC base plate for multiple fastenings	38
DELTA nylon plug	39
DELTA X multipurpose plug	39
Wood screws	40
Round-head wood screw with washer	40
Hanger bolt	40
CLIC flange M6	40
CLIC flange M8	41
Double-thread stud M6 / M8	41
TILCA flush anchor	41
TILCA fire resisting anchor	42
Mounting examples for CLIC on strut catchers	43
Various accessories for CLIC 63 - 127 mm	44
Technical data sheet CLIC	45
WECO brass anchor	50

Gripping possibilities for the world of pipe and cable fastening



CLIC is more than just a plastic clamp: CLIC offers a high-quality system of solutions allowing you to grip many opportunities.

A product of Egli, Fischer & Co. Ltd., Zurich, www.clic-original.com
manufactured by BIRO, www.biro.ch

clic

Trade mark rights

Patents: The CLIC technology is protected by Swiss and international patents held by Egli, Fischer & Co. Ltd., Zurich (EF).

Trademarks: All product and brand names mentioned in this publication are trademarks or registered trademarks of EF or of the respective owner. CLIC, DELTA and TILCA in particular are internationally registered EF trademarks.

Illustrations: Illustrations are owned by EF or reproduced by kind courtesy of their owners.

Copyright: All rights reserved. Digital reproduction, even partially, only upon written approval by EF.

www.clic-original.com

www.clic-original.com

CLIC – the original

Since 1975 the self-locking pipe clamp CLIC has proved itself millions of times. Cables and pipes fixed with «Swiss Quality» are fast and securely fixed throughout the world.

Today, system solutions (pipe clamps, screws, plugs and accessories) are required, for instance in telecommunications. Consulting during the phase of planning, becomes more and more important. A long experience in business and our internal development division have allowed many individual solutions in collaboration with our customers engineers. Our production is able to preassemble tailor-made CLIC systems even at short notice.

The proven solution for cable conduits

Easy handling and fast mounting predestinates CLIC for fixing cable conduits.

The smart solution for specific tasks

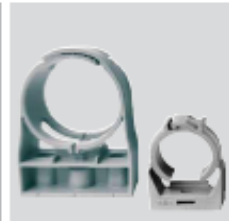
For installations with higher demands, public areas or infrastructural buildings, the qualities of CLIC and CLIC TOP are especially recommended because of the high mechanical capacity, the excellent impact resistance and temperature stability.

The best solution for highest demands

CLIC TOP ideally covers the increasing demands for fixing points in sensitive environments. In many tunnels coaxial cables for radio and mobile telephone systems are openly mounted. The performance may not be impaired by interference from metallic parts. The plastic pipe clamp CLIC TOP is therefore the best solution for the installation.

Application areas

- Electrical installations
- Sanitary installations
- Control technique
- Chemical industry, difficult environments
- Clean rooms
- Radiating cables
- Fire alarm systems
- Swimming pools
- Central vacuum cleaners



clictop

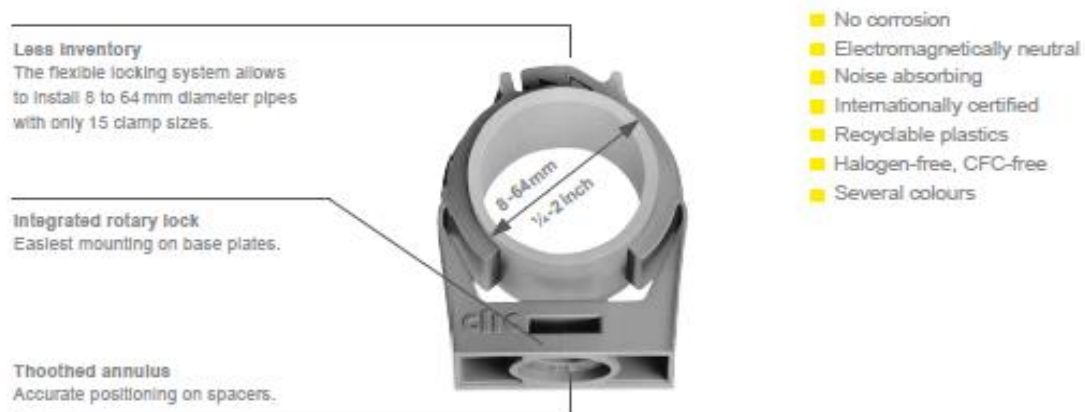
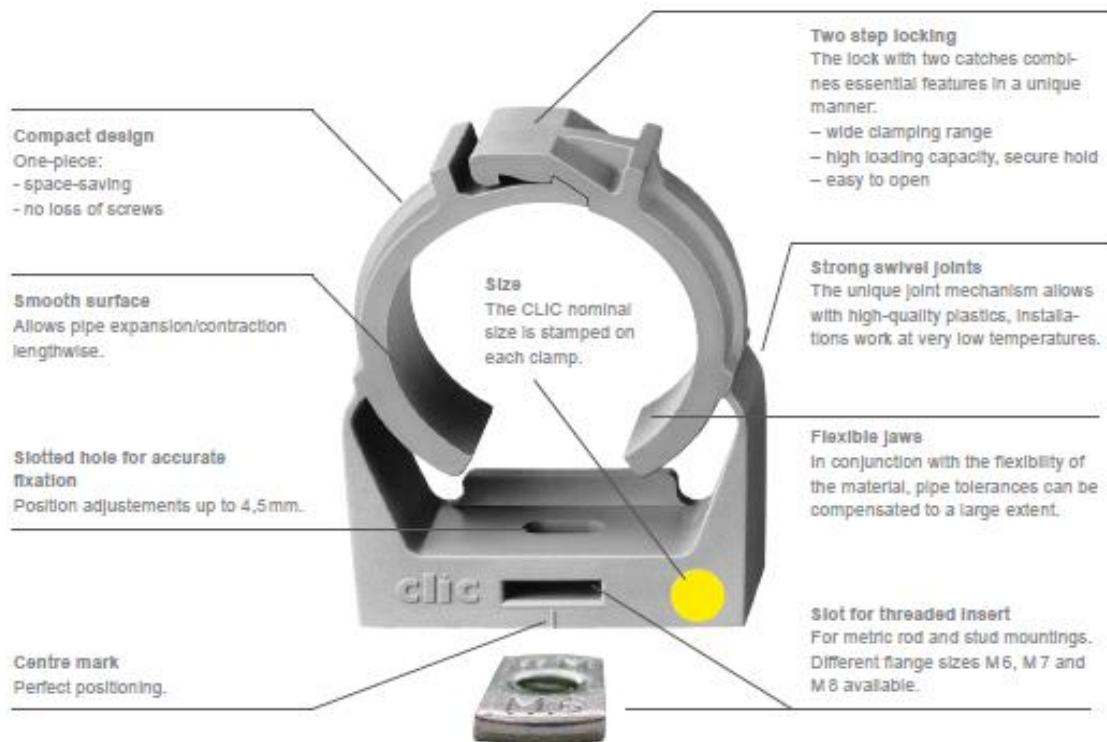


Single-hand installation – a matter of course with CLIC: place the pipe, apply slight pressure and the clamp locks itself with a sharp click. Saves up to 40 % installation time in comparison to commonly used clamps.

CLIC 8 to 64 mm – Technology

The advantages of the original

Secure, fast, economical, user-friendly – a true fact. The outstanding features of CLIC are self-explanatory. Benefit from the advantages and the safety of the original that has proved itself since 1975.

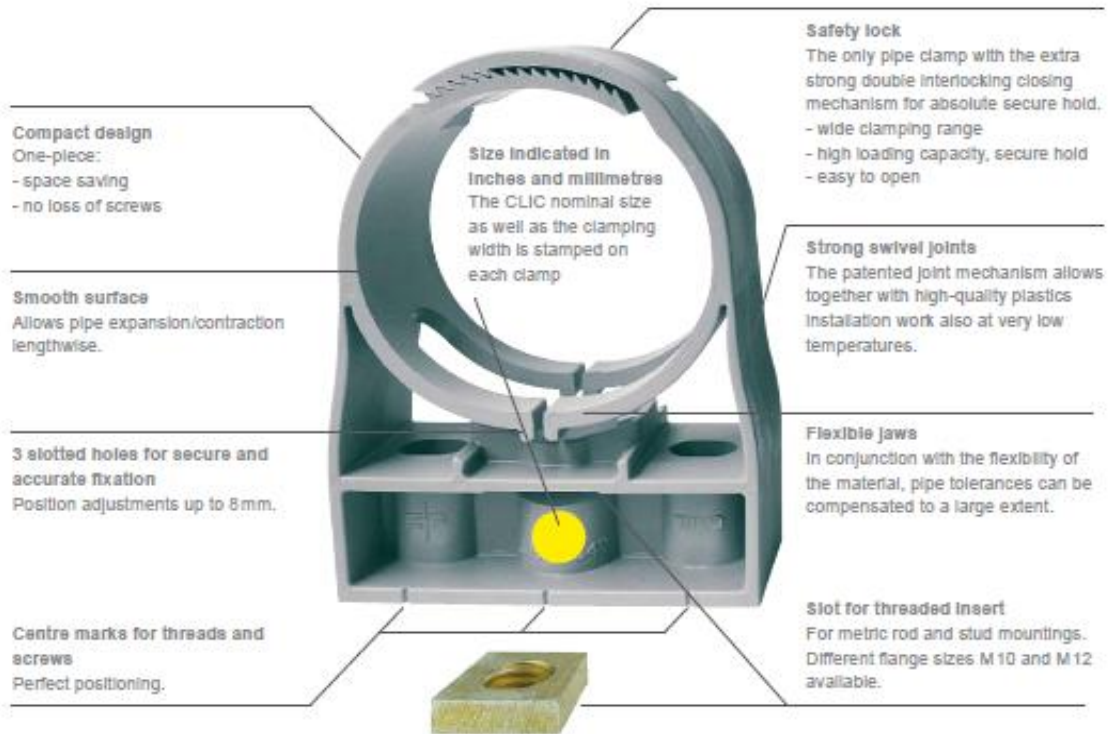


www.clic-original.com

CLIC 63 to 127 mm – Technology

Perfect for large pipes

For large diameters CLIC also offers the perfect solution with high-quality plastic materials. Count on the advantages and quality of the original that proves itself world-wide successfully, even under very hard conditions, for more than 25 years.



Plastic pipe clamps

For highest demands: the self locking pipe clamps CLIC TOP

Clamping range 8 to 127 mm (0.295" to 5")

CLIC TOP

- The solution in a demanding environment.

For indoor and outdoor applications

Applicable for dynamic loads

Material: high quality polyamide

UV-stabilized: 5 times better than PA6/PA66

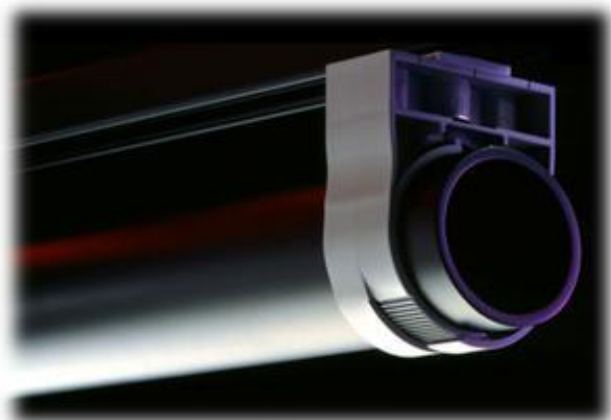
Service temperature -40°C to +150 °C

Very low moisture absorption

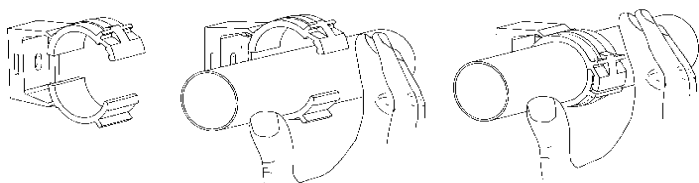
High chemical resistance

Listed / approved by UL

Halogen free as per IEC-Standard 754-2



Easy to install



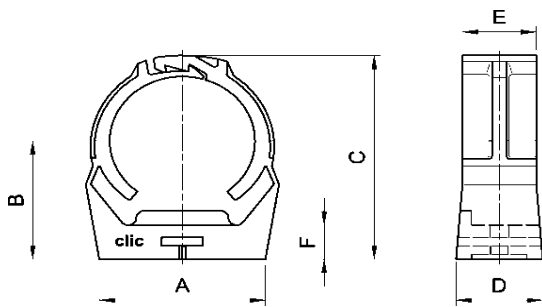
Simply mount CLIC, push pipe in by hand, grips and locks by applying slight pressure.



CLIC is a registered trade mark of Egli, Fischer & Co. Ltd

CLIC TOP 8-64 mm (0.307" to 2.52")

Technical information



CLIC type	A mm	B mm	C mm	D mm	E mm	F mm	safe working load in all directions* N
8	17.1	17.5	26.4	17.1	14.5	7.5	170
10	17.1	16.6	26.2	17.1	14.5	7.5	185
12	20.2	19.5	28.3	17.2	14.5	7.5	200
15	20.6	20	32	17.1	14.5	7.5	220
17	22.5	22	35.4	19.5	16	7.8	235
20	24.8	23.7	39.4	20	16.3	7.8	250
22	27.8	25.5	42	20	16.5	7.8	270
25	30.4	26.8	45.1	20	17	8.8	300
28	33.4	28.8	48.9	20.2	17	8.8	320
32	38	32.2	54.4	21	17.5	9	370
36	41.8	34.3	59.4	21	18	9.1	400
40	46.2	36.3	64.2	21	18.6	9.4	440
47	53.5	40.6	72.8	22	19.5	9.8	470
51	58.6	44.3	78.7	23	20	10.2	500
59	66.3	48.6	88.2	23.2	21	10.7	540

* With screw DIN 96 at + 20 °C, **safety factor ~ 3 included**

CLIC TOP dark grey (RAL 7001), 8-64 mm

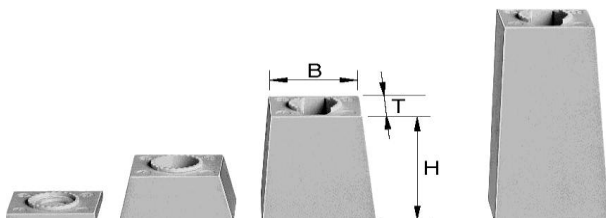
type	clamping range Ø mm	metric norm	pcs/ carton	Item no
8	7,8 - 9,5	8	100	A 88.900
10	9,5 - 11,8	10	100	A 88.901
12	11,8 - 14,3	12	100	A 88.902
15	14,3 - 16,8	16	100	A 88.903
17	16,8 - 19,5	-	100	A 88.904
20	19,5 - 21,8	20	100	A 88.905
22	21,8 - 24,8	-	100	A 88.906
25	24,8 - 27,8	25	50	A 88.907
28	27,8 - 31,2	-	50	A 88.908
32	31,2 - 35,5	32	50	A 88.909
36	35,5 - 39,5	-	50	A 88.910
40	39,5 - 43,5	40	25	A 88.911
47	46,5 - 50,5	50	25	A 88.912
51	50,5 - 55,5	-	25	A 88.913
59	58,5 - 64,0	63	20	A 88.914

Metric norm = Euro norm NIN 2000



www.clic-original.com

CLIC spacer, dark grey (RAL 7001)



size	dimension T x B x H mm	pcs/ carton	Item no
2,5	20x24x2,5	100	A 88.370
5	20x24x5	100	A 88.371
15	20x24x15	100	A 88.372
25	20x24x25	100	A 88.373
35	20x24x35	100	A 88.374
45	20x24x45	100	A 88.375
65	20x24x65	50	A 88.376
85	23x30x85	50	A 88.377



CLIC base plate for 2 pcs

for CLIC type 8–25

dimension length x depth x height mm	colour	pcs/ carton	Item no
70x20x5	dark grey	50	A 88.270



CLIC base plate for 3 pcs

for CLIC type 8–25

dimension length x depth x height mm	colour	pcs/ carton	Item no
110x20x5	dark grey	25	A 88.271



CLIC multiple base plate

¹ CLIC slots	dimension length mm	pcs/ carton	Item no
3	135	50	A 88.280
4	180	50	A 88.281
20	1000	10	A 88.282

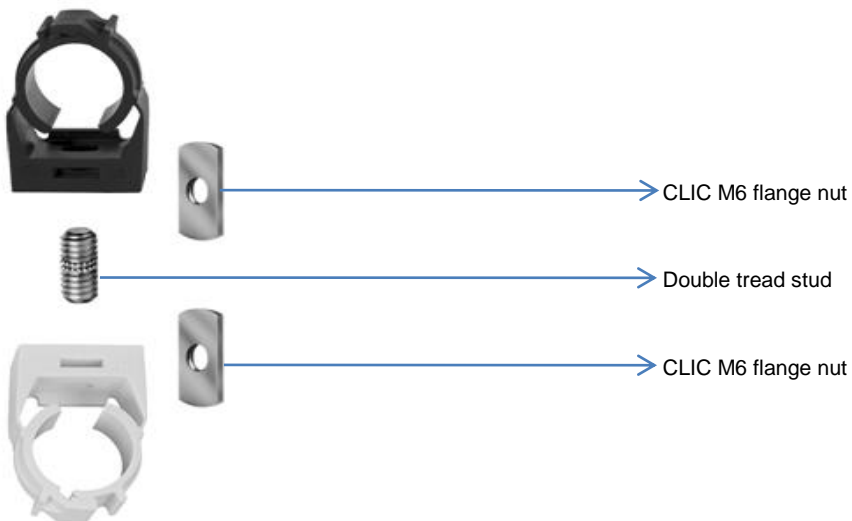
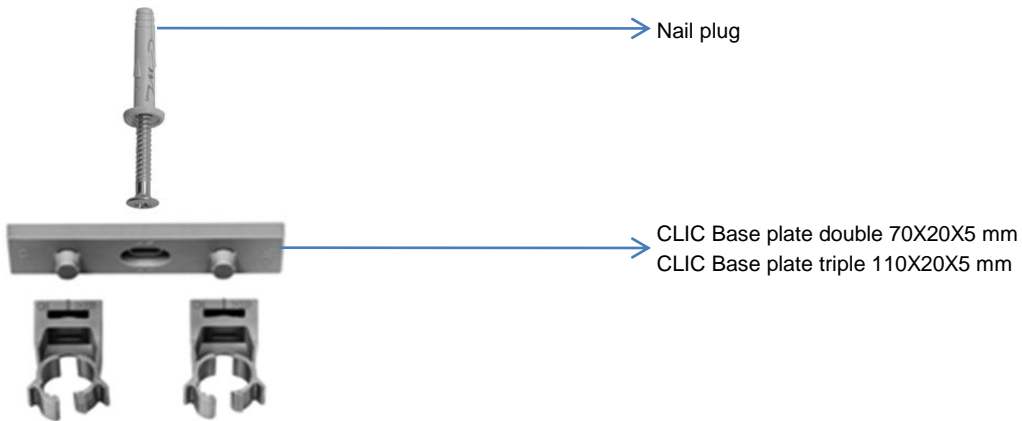
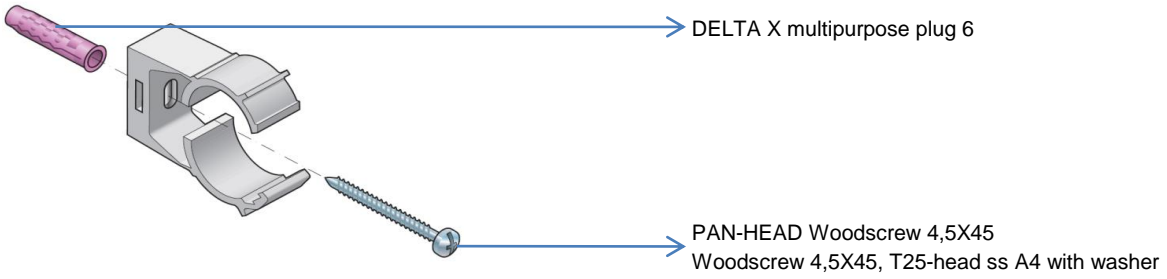
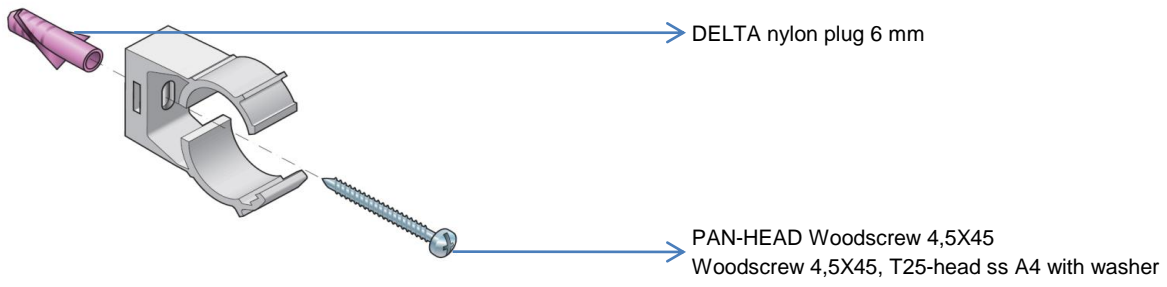


DELTA nylon plug

size ¹	length of plug	for wood- screw Ø mm	pcs/ carton	Item no
6	29	3.5-5	1000	A 10.102
10	48	6-8	400	A 10.105



¹ Ø drill hole mm



DELTA X multipurpose plug

size ¹	length of plug	for wood- screw Ø mm	pcs/ carton	Item no
6	30	3.5-5	800	A 10.202

¹ Ø drill hole mm



Pan-Head wood screw

with cross slot Z (pozidrive 2 impression), zinc plated yellow passivated

size ¹ mm	pcs/ carton	Item no
4,5x45	200	A 63.324
4.5x50	200	A 63.325

¹ Ø x length mm



Pan-Head wood screw stainless steel

with TX 20, stainless steel A2

size ¹ mm	pcs/ carton	Item no
4,5x40	200	A 63.106
4.5x50	200	A 63.107
4.5x60	200	A 63.108
4.5x70	200	A 63.109

Pan-Head wood screw stainless steel

with TX 20, stainless steel A4

size ¹ mm	pcs/ carton	Item no
4,5x45	200	A 62.170
4.5x50	100	A 62.178
4.5x60	100	A 62.183
4.5x70	100	A 62.184
4.5x80	100	A 62.179
4.5x90	100	A 62.180
4.5x110	100	A 62.181
4.5x125	100	A 62.185

¹ Ø x length mm

Hanger bolt M 6 and M 8

for mounting with CLIC flange and DELTA 8, zinc plated blue passivated

size ¹ mm	pcs/ carton	Item no
M6/6x45	100	A 63.100
M8/6x45	100	A 75.593
M8/8x50	100	A 63.105

¹ Ø screw / Ø thread x length mm



www.clic-original.com



CLIC flange M 6

for mounting CLIC range 8–59, zinc plated or stainless steel A4 (1.4404/AISI 316)

description	pcs/ carton	Item no
CLIC M6 flange nut zinc plated	100	A 88.130
CLIC M6 flange nut ss A4	100	A 88.240



TILCA flush anchor

zinc plated (zp) or stainless steel A4 (ss) (1.4401/AISI 316)
with DIBt-approval

size ¹ mm	drilling hole Øxd mm	thread length in mm	qual.	pcs/ carton	Item no
M6x30	8 x 33	13	zp	100	A 42.100
M6x30	8 x 33	13	ss	100	A 42.105
M8x30	10 x 33	13	zp	100	A 42.101



¹ female thread x length of plug mm

Double-thread stud M6 and M 8

zinc plated or stainless steel A4 (1.4404/AISI 316)

size ¹ mm	qual.	pcs/ carton	Item no
M6/M6x12	zp	100	B 16.111
M6/M6x12	ss	100	B 16.115



¹ thread x length mm

Pan-head screw, zinc plated

DIN 84 A/steel 4.8

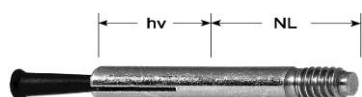
size ¹ mm	pcs/ carton	Item no
M6x20	100	A 64.119



TILCA Fire-resisting anchor

zinc plated or stainless steel (1.4401/AISI 316)

size ¹ mm	thread drill length Øxmin. depth mm	qual.	pcs/ carton	Item no
6/54	12 6 x 32	zp	100	A 45.807



www.clic-original.com

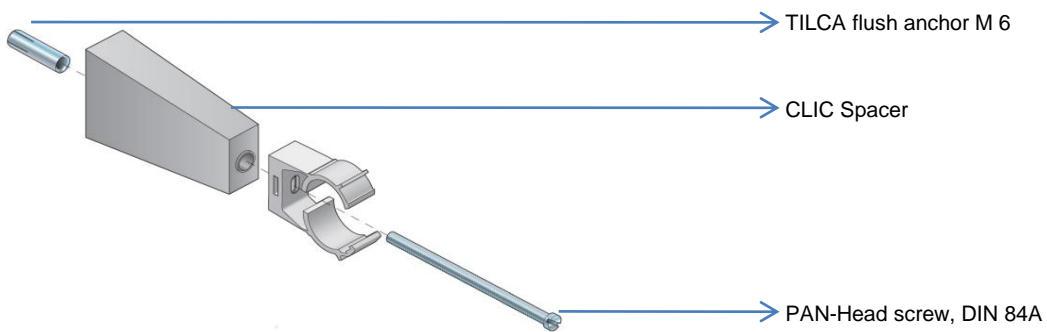
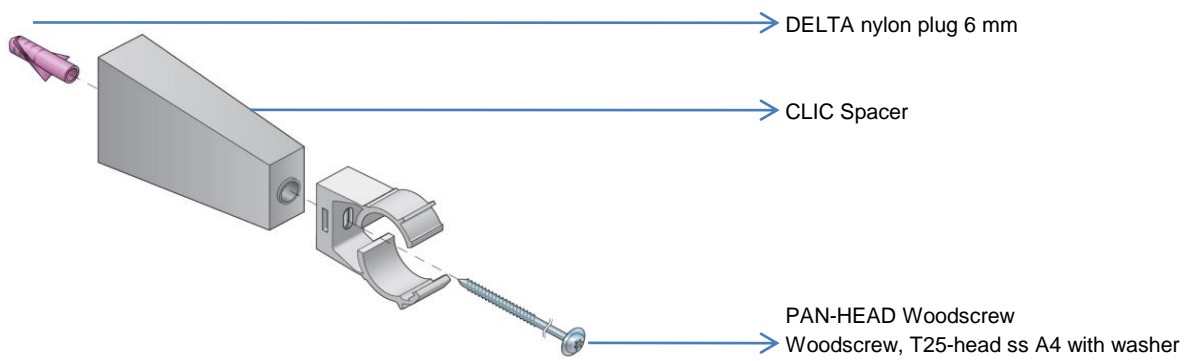
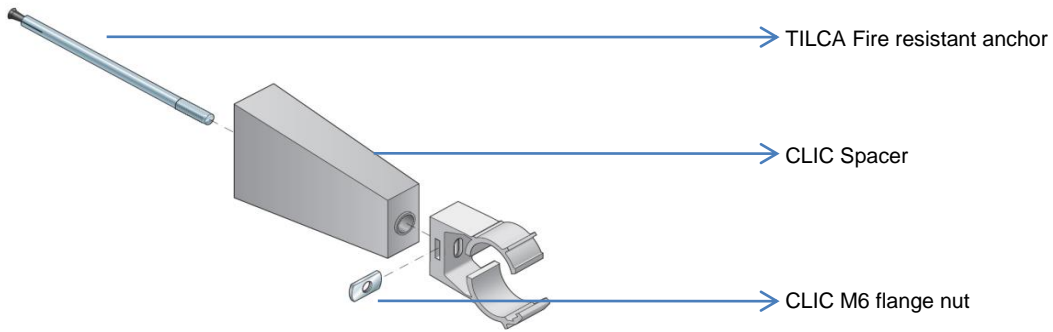
Mounting systems for brick

	Item no	Item no	Item no
①	A 10.102	A 10.202	A 10.102
②	A 63.324	A 63.324	A 63.100
③	-	-	A 88.130
①	A 10.102	A 10.202	-
②	A 62.170	A 62.170	-
③	-	-	-

Mounting systems for concrete

	Item no	Item no	Item no	Item no	Item no
①	A 10.102	A 10.202	A 10.102	A 42.100	A 45.850
②	A 63.324	A 63.324	A 63.100	B 16.111	A 88.130
③	-	-	A 88.130	A 88.130	-
①	A 10.102	A 10.202	-	A 42.105	on req.
②	A 62.170	A 62.170	-	B 16.115	A 88.240
③	-	-	-	A 88.240	-





Radiating cable dimensions

radiating cable	outer Ø mm	CLIC type	clamping range Ø mm
3/8"	10.5	10	9,5 - 11,8
1/2"	13.2	12	11,8 - 14,3
1/2"	15.9	15	14,3 - 16,8
5/8"	22	22	21,8 - 24,8
7/8"	28.5	28	27,8 - 31,2
1 1/4"	39.4	36	35,5 - 39,5
1 5/8"	50	47	46,5 - 50,5

CLIC TOP black (RAL 9011), 14-50 mm

type	clamping range Ø mm	metric norm	pcs/ carton	Item no
15	14.3 - 16.8	16	100	A 88.960
17	16.8 - 19.5	-	100	A 88.961
20	19.5 - 21.8	20	100	A 88.962
22	21.8 - 24.8	-	100	A 88.963
25	24.8 - 27.8	25	50	A 88.964
28	27.8 - 31.2	-	50	A 88.965
36	35.5 - 39.5	-	50	A 88.966
47	46.5 - 50.5	50	25	A 88.967

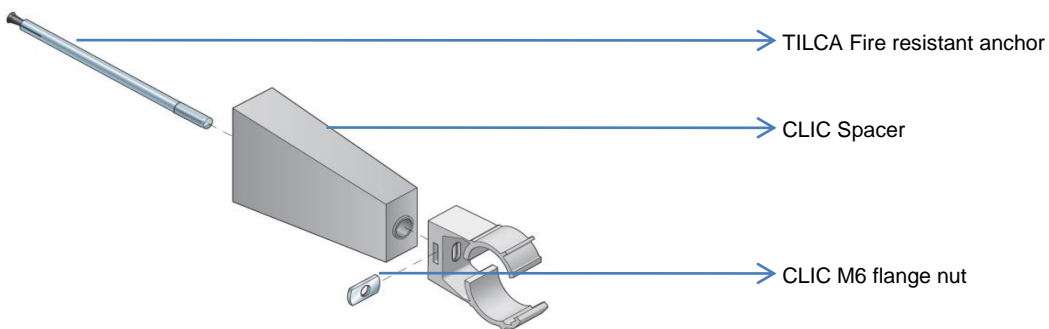
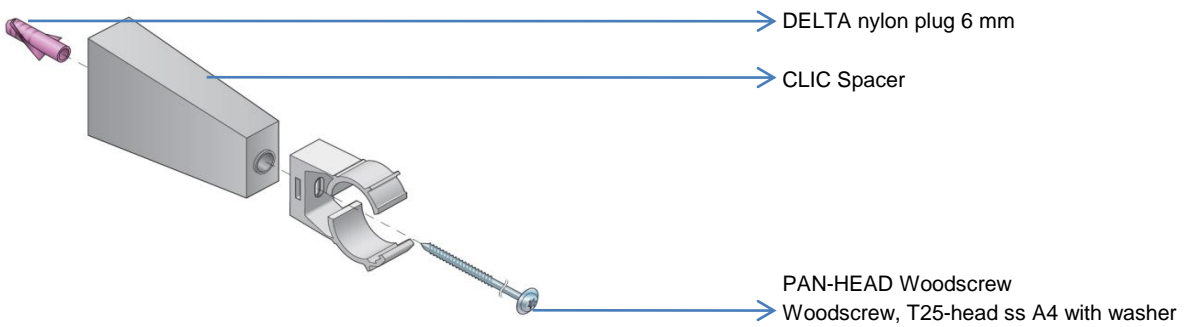
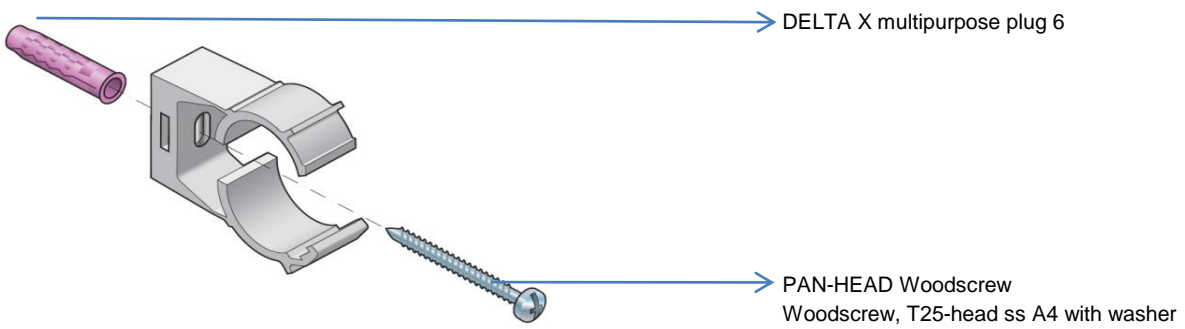
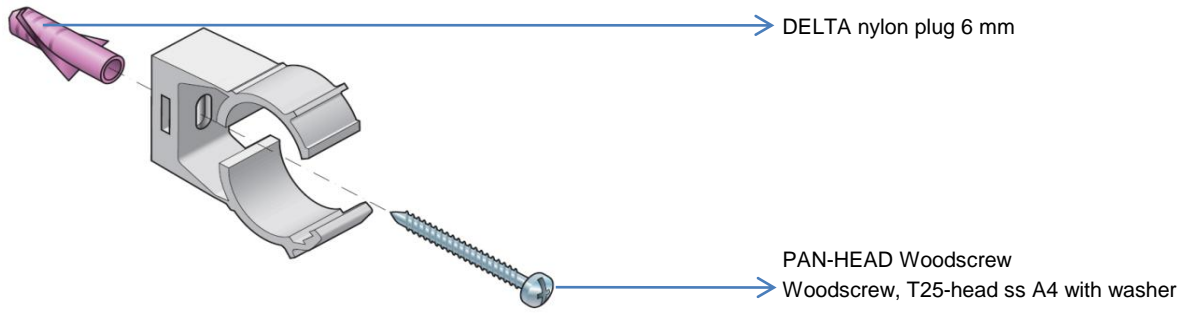
CLIC spacer, black (RAL 9011)

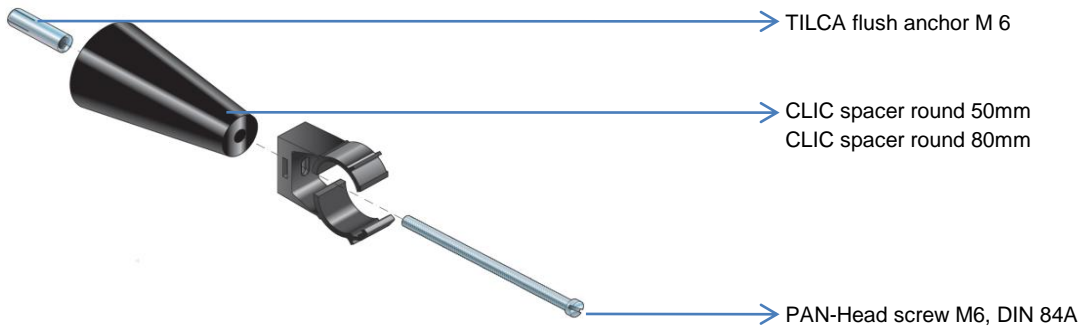
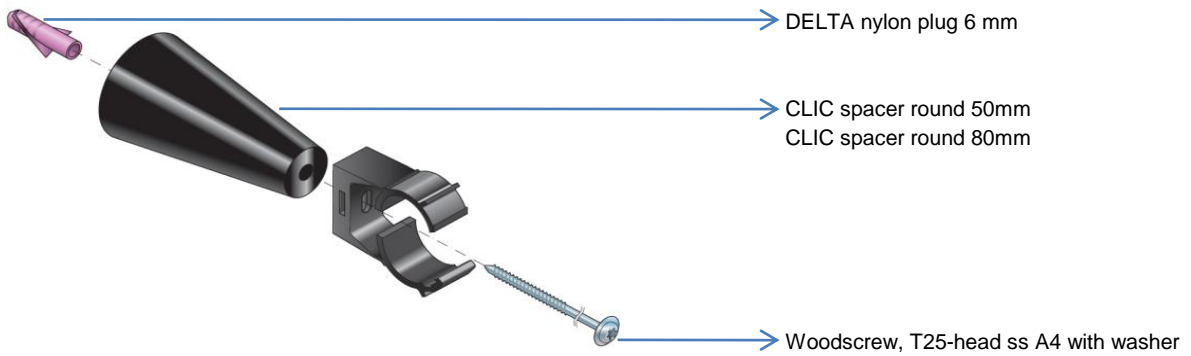
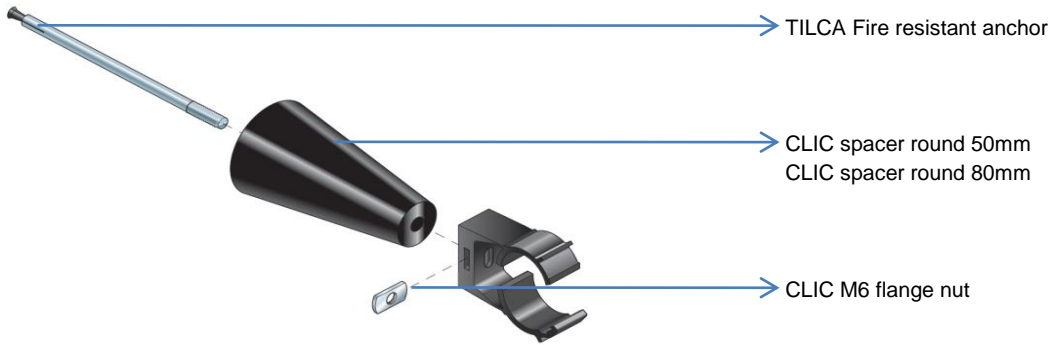
size	dimension T x B x H mm	pcs/ carton	Item no
35	20x24x35	100	A 88.268
45	20x30x45	100	A 88.774
65	20x30x65	50	A 88.775
85	23x30x85	50	A 88.269

CLIC spacer round, black (RAL 9011)

size	dimension length mm	pcs/ carton	Item no
50	50	100	A 88.274
80	80	100	A 88.275







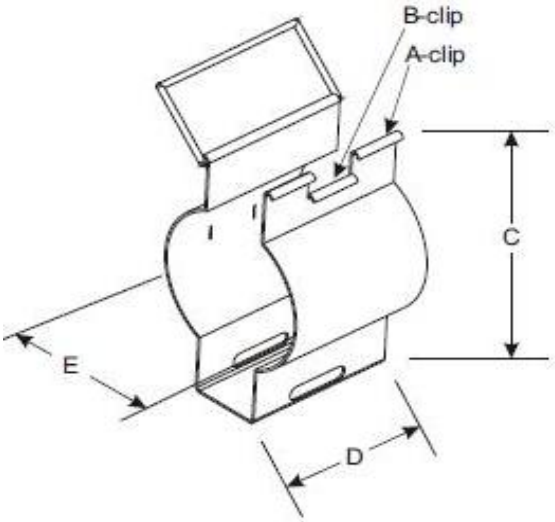
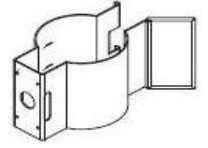


www.clic-original.com

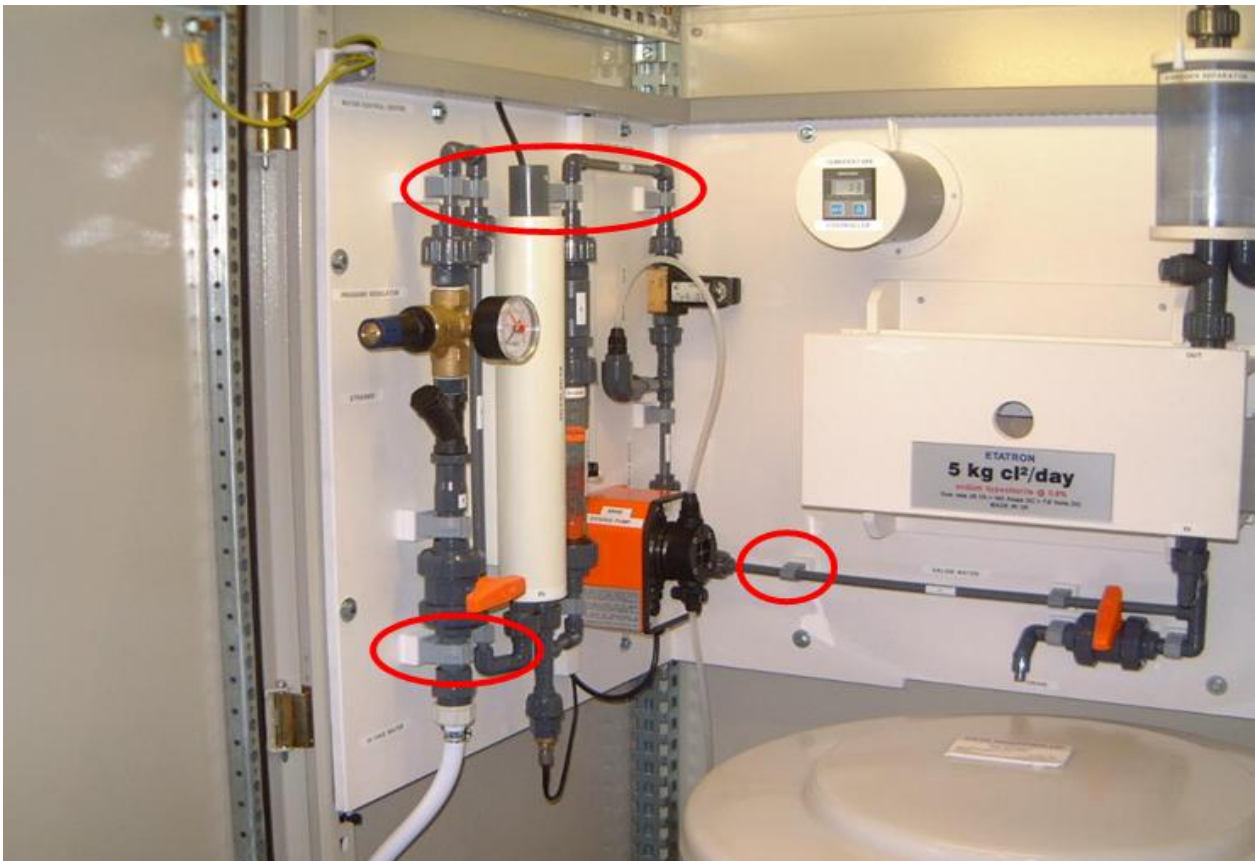
Cable hanger stainless steel 1/2" - 1 5/8"

Cable hanger for corrugated coaxial cable without hardware

size of cable	Dual clip position		C mm	D mm	E	pcs/ carton	Item no
	A-clip wall	B-clip					
1/2"	smooth	corrugated	50.8	38.1	3/4"	100	A 82.294
7/8"	smooth	corrugated	57.2	1 1/4"	100	A 82.295	
1 1/4"	smooth	corrugated	73	38.1	1 1/2"	100	A 82.296
1 5/8"	smooth	corrugated	88.9	38.1	1 7/8"	100	A 82.297

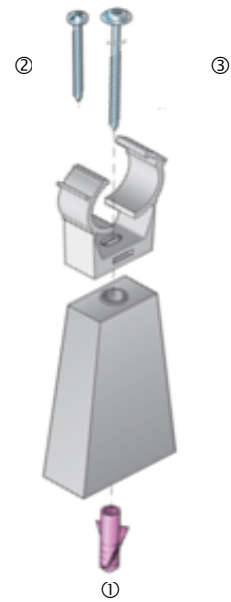
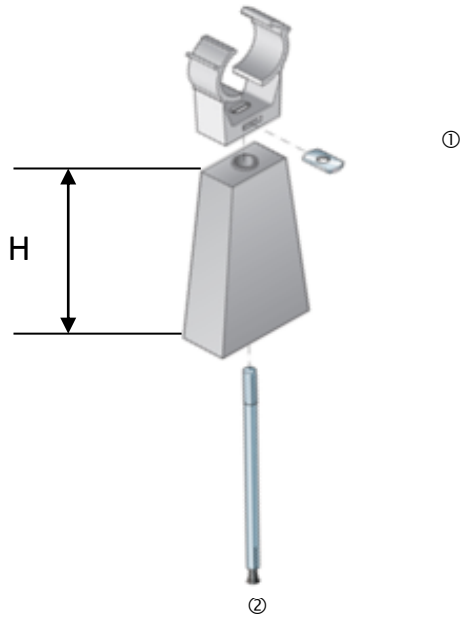


The dual-clip feature will allow the hanger to support a variety of brands of coaxial cable.

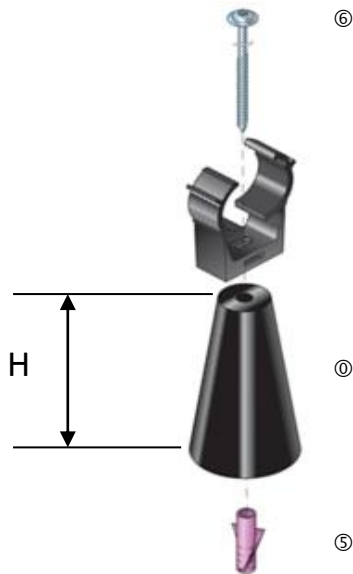


www.clic-original.com

Mounting systems with spacers



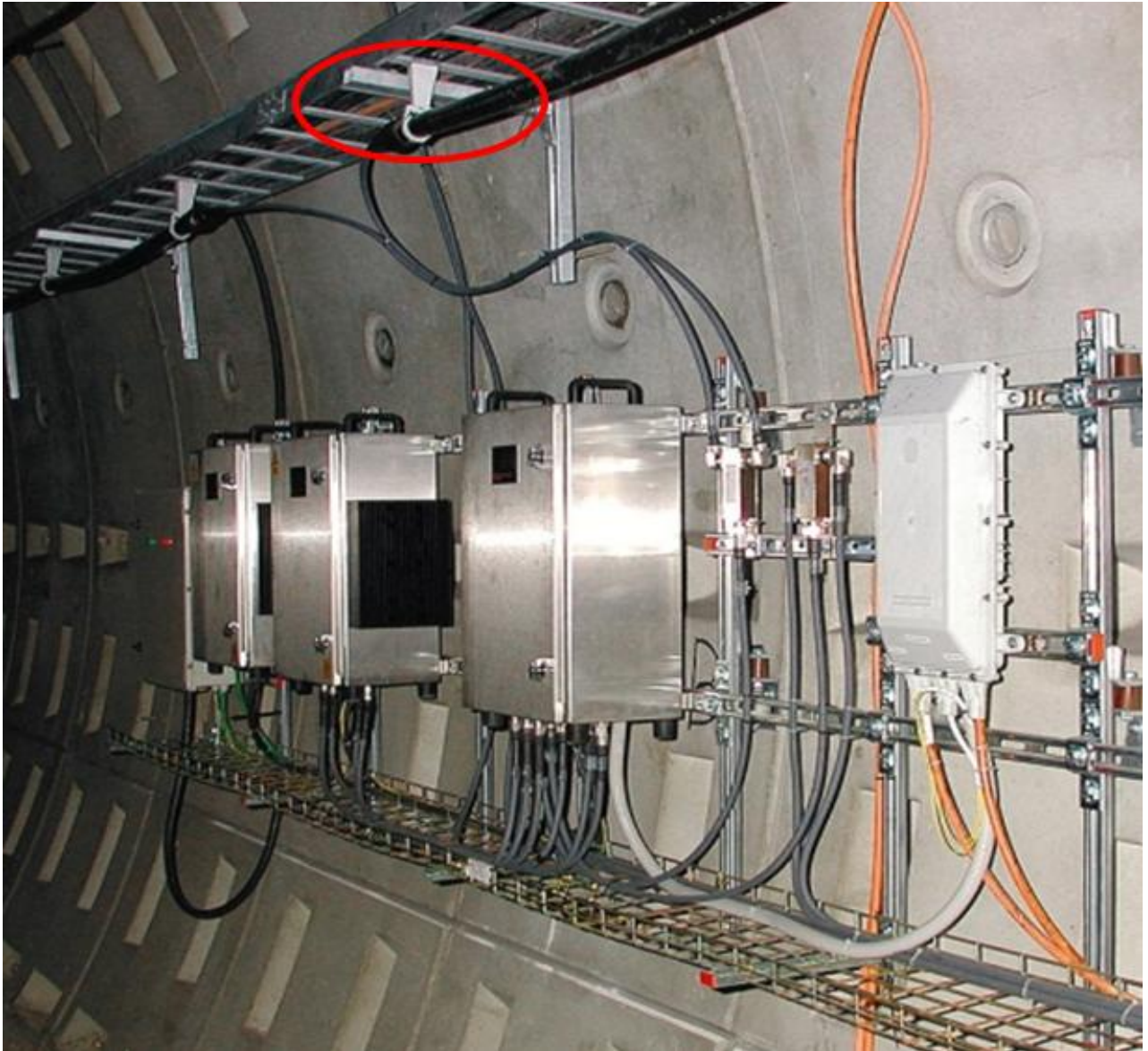
H	① Item no	② on req	① Item no	② on req	① Item no	② Item no	② A2 Item no	③ A4 Item no
2,5	A 88.130	on req	A 88.240	on req	A 10.102	A 63.324	A 63.107	A 62.170
5	A 88.130	on req	A 88.240	on req	A 10.102	A 63.325	A 63.107	A 62.178
15	A 88.130	on req	A 88.240	on req	A 10.102	on req	A 63.108	A 62.183
25	A 88.130	on req	A 88.240	on req	A 10.102	on req	A 63.109	A 62.184
35	A 88.130	on req	A 88.240	on req	A 10.102	on req	on req	A 62.179
45	A 88.130	on req	A 88.240	on req	A 10.102	on req	on req	A 62.180
65	A 88.130	on req	A 88.240	on req	A 10.102	on req	on req	A 62.181
85	A 88.130	on req	A 88.240	on req	A 10.102	on req	on req	A 62.185



H	① Item no	① Item no	② Item no	⑤ Item no	① Item no	② Item no	⑥ Item no
50	A 88.274	A 88.130	A 45.812	A 10.102	A 88.240	A 45.814	A 62.180
80	A 88.275	A 88.130	A 45.810	A 10.102	A 88.240	A 45.830	A 62.185

stainless steel

www.clic-original.com



CLIC TOP white (RAL 9010), 10-50 mm

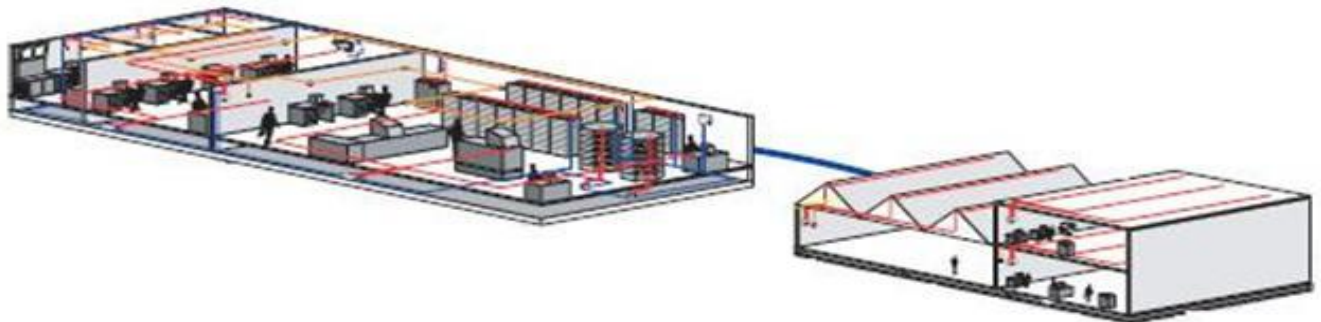
type	clamping range Ø mm	metric norm	pcs/ carton	Item no
10	9,5 - 11,5	10	100	A 88.450
12	11,8 - 14,3	12	100	A 88.451
15	14,3 - 16,8	16	100	A 88.452
17	16,8 - 19,5	-	100	A 88.453
20	19,5 - 21,8	20	100	A 88.454
22	21,8 - 24,8	32	100	A 88.457
25	24,8 - 27,8	-	50	A 88.459
28	27,8 - 31,2	-	50	A 88.458
32	31,2 - 35,5	25	50	A 88.455
40	39,5 - 43,5	25	25	A 88.456
47	46,5 - 50,5	50	25	A 88.460

Metric norm = Euro norm NIN 2000



CLIC TOP red (RAL 3020), 25-31 mm

type	clamping range Ø mm	metric norm	pcs/ carton	Item no
25	24,8 - 27,8	25	450	A 88.640
28	27.8 - 31.2	-	150	A 88.641



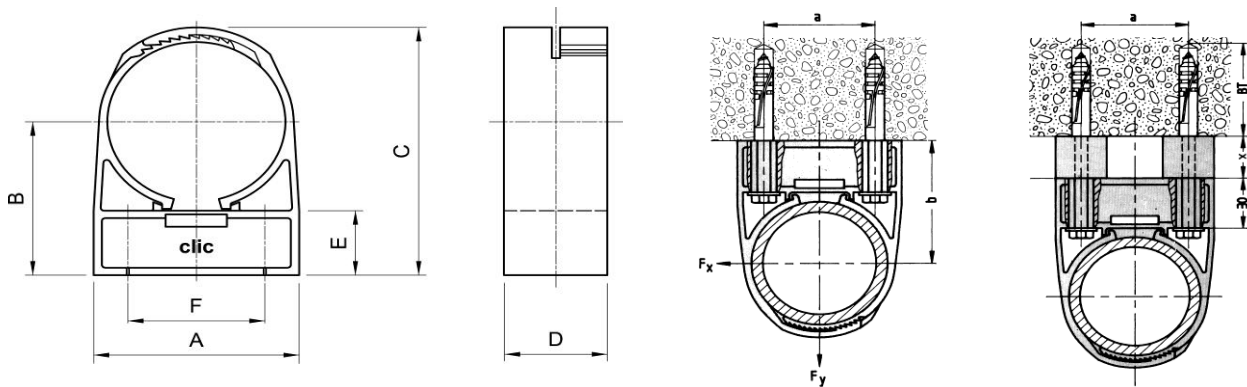
www.clic-original.com

CLIC TOP 63-127 mm



Easy and excellent fixing for pipes with diameter
63 to 127 mm
Ideal for infrastructural & industrial buildings
Listed / approved by UL
Secure against vibration

Technical information



type	A mm	B mm	C mm	D mm	E mm	F mm	safe working load	
							F_y N	F_x N
63	78	72	115	40	31	52	600	340
71	87	77	124	40	31	58	740	440
80	98	83	136	40	31	66	880	540
90	110	89	148	40	31	76	1000	640
101	124	96	163	40	31	86	1200	740
113	139	105	180	40	31	102	1350	840

with screw DIN 571 at + 20 °C, safety factor ~ 3 included

* Load directions as per above

CLIC Top dark grey (RAL 7001), 63-127 mm

type	clamping range Ø mm	pcs/ carton	Item no
63	63 - 71	25	A 88.340
71	71 - 80	40	A 88.341
80	80 - 90	40	A 88.342
90	90 - 101	25	A 88.343
101	101 - 113	25	A 88.344
113	113 - 127	25	A 88.345

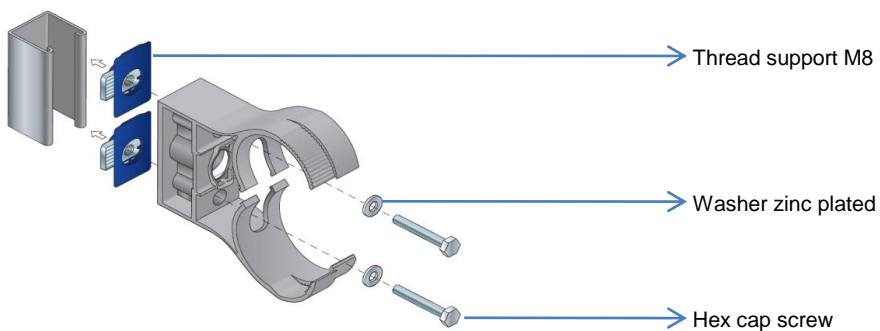
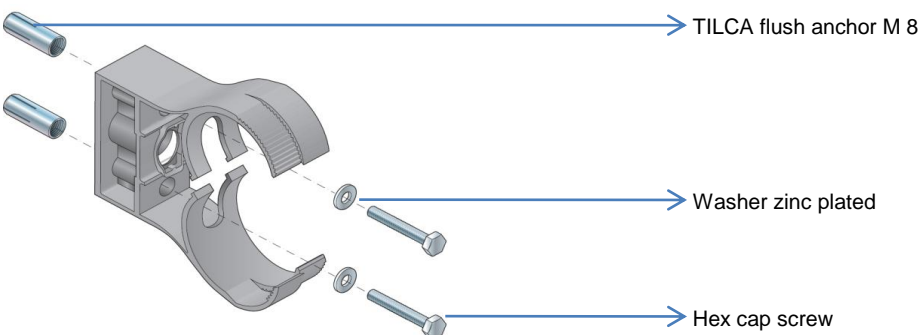
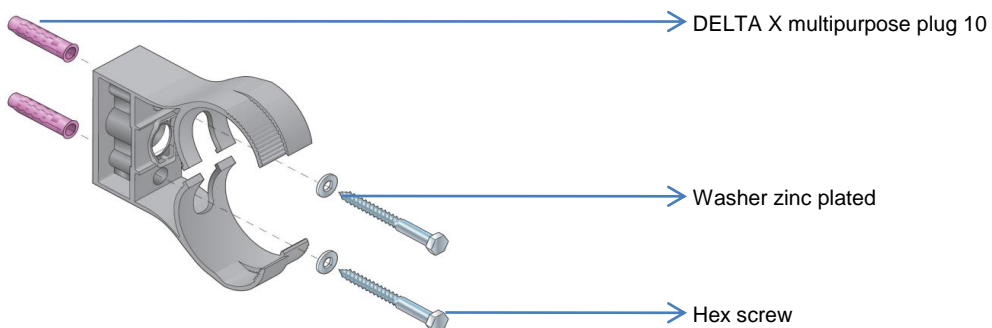
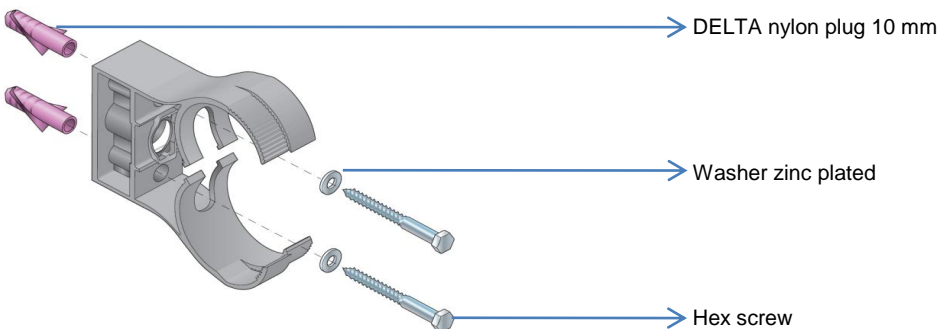


www.clic-original.com

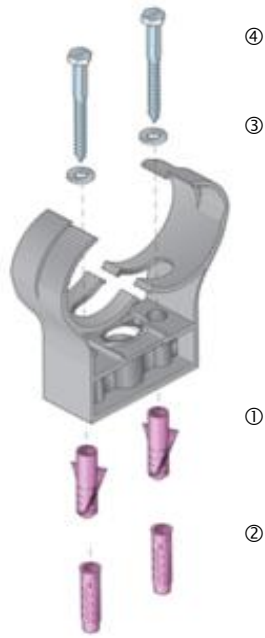
CLIC spacers dark grey (RAL 7001)

Polyamide

size ¹	dimension l x w x h mm	pcs/ carton	Item no
5	40x30x5	100	A 88.350
7,5	40x30x7,5	100	A 88.351
10	40x30x10	100	A 88.352
15	40x30x15	100	A 88.353
20	40x30x20	100	A 88.354
25	40x30x25	100	A 88.355
30	40x30x30	100	A 88.356



www.clic-original.com



	Item no	Item no
①	A 10.105	
②	A 10.205	
③	A 64.259	A 64.259
④	A 66.106	A 66.106

①
②
③

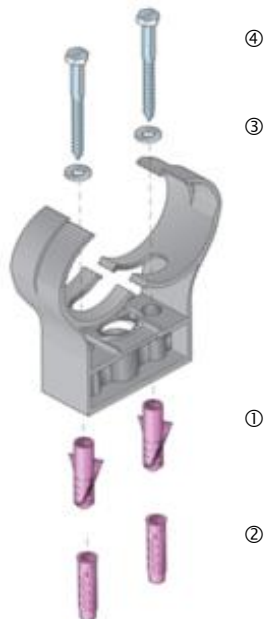


	Item no
①	A 42.101
②	A 64.142
③	A 66.106

A 42.106
on req
A 66.116



	Item no
①	A 85.236
②	A 64.143
③	A 66.106



	Item no	Item no
①	A 10.105	
②	A 10.205	
③	A 64.259	A 64.259
④	A 66.106	A 66.106

stainless steel

www.clic-original.com

Technical data sheet

clic® top 8 - 127 mm

Application areas

Outdoor installation
Chemical industry in harsh environment
Electrical installations in tunnels (cable/conduits)
Sanitary installations of all kinds
Swimming pools
Switching cabinets

Features

Self-locking system without tools
Clamping range 8 - 127 mm (0.31" to 5")
Very high dynamic load
Very low moisture absorption
Chloride- and weather resistant
Very high stress corrosion crack stability
Approved by: KIWA® . UL®

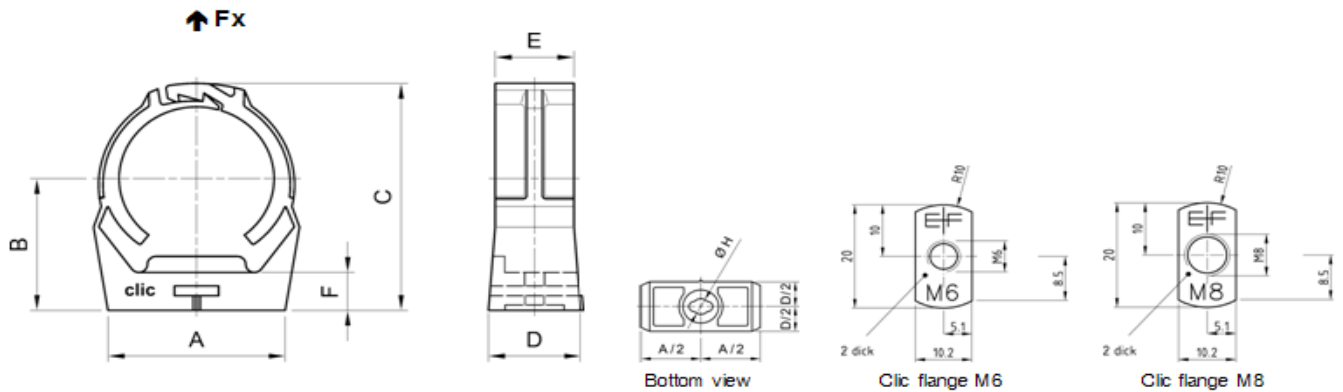
Technical data clic® top 8 - 127 mm

Material quality	Polyamide PA 12
Density at +20 °C	1,01 g/cm ³
Elongation at yield	12%
E-Modulus in tension	1100 MPa
Water absorption at 23 °C	1,50 %
Moisture absorption (23 °C / 50 % r.F.)	0,50 %
Shore hardness D	70
Disruptive strength	32 kV/mm
Weather proof	-40 °C up to +110 °C
Mounting temperature	down to -25 °C
Maximum service temperature short term	+150 °C
Maximum service temperature long term	+90 to +110 °C
Flammability	HB according to UL 94
Calorific / energy value	34 kJ / gram
Impact value (Charpy, +23 °C)	7
Impact value (Charpy, -30 °C)	6
Halogen	halogen free as per IEC 754-2
Petrol, diesel, oil	resistant
Corrosion	resistant
Chloride salt	resistant
UV	resistant ISO 4892-2
Standard colours	dark grey (RAL 7001)
Special colours	on request

clíc® top type selection chart for od 8 - 64mm on pipes or cables

clíc® top Type	Steel		Copper	Cast iron	PE	PVC	Cable-metric measur	Coaxial cable	Certification			Breaking load [N]
	mm	inch	mm	mm	mm	mm	M	inch	Kiwa		UL	Fx**
8							8				✓	450
10			10				10		✓		✓	470
12	13,5	1/4"	12				12		✓		✓	500
15			15			16	16	1/2"	✓		✓	650
17	17,2	3/8"	18						✓		✓	700
20	21,3	1/2"				20	20	5/8"	✓		✓	750
22			22						✓		✓	800
25	26,9	3/4"				25	25		✓		✓	900
28			28					7/8"	✓		✓	950
32	33,7	1"	35		32	32	32		✓		✓	1100
36								1 1/4"	✓		✓	1200
40	42,4	1 1/4"	42		40		40		✓		✓	1350
47	48,3	1 1/2"		48	50	50	50	1 5/8"	✓		✓	1400
51			54						✓		✓	1500
59	60,3	2"	64			63					✓	1600

** with screw DIN 96 at +20 °C, safety factor must be considered!



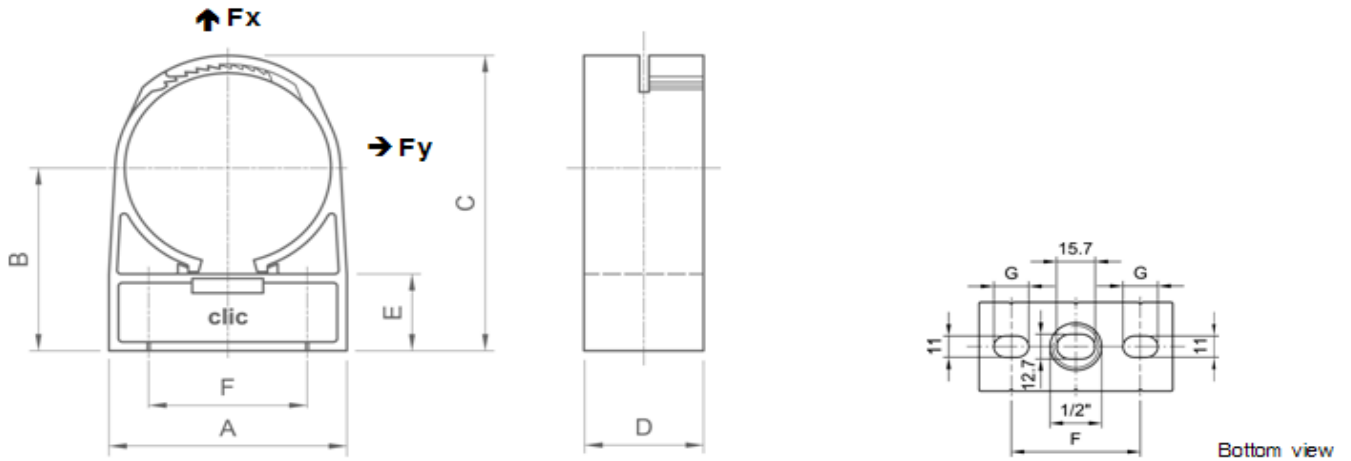
clíc® top Type	Clamping range [mm]		A [mm]	B [mm]	C [mm]	D [mm]	E [mm]	F [mm]	H*		
	min.	max.							wood [mm]		metric
8	7,8	9,5	17,1	17,5	26,4	17,1	14,5	7,5	3,5		M6
10	9,5	11,8	17,1	17,5	26,2	17,1	14,5	7,5	3,5		M6
12	11,8	14,3	20,2	19,5	28,3	17,2	14,5	7,5	3,5		M6
15	14,3	16,8	20,6	18,8	32,0	17,1	14,5	7,5	3,5		M6
17	16,8	19,5	22,5	23,7	35,4	19,5	16,0	7,8	4,5		M6
20	19,5	21,8	24,8	24,9	39,4	20,0	16,3	7,8	4,5		M6
22	21,8	24,8	27,8	26,0	42,0	20,0	16,5	7,8	4,5		M6
25	24,8	27,8	30,4	28,0	45,1	20,0	17,0	8,8	4,5		M6
28	27,8	31,2	33,4	31,7	48,9	20,2	17,0	8,8	4,5		M6
32	31,2	35,5	38,0	34,5	54,4	21,0	17,5	9,0	4,5		M6 / M8
36	35,5	39,5	41,8	36,5	59,4	21,0	18,0	9,1	4,5		M6 / M8
40	39,5	43,5	46,2	38,2	64,2	21,0	18,6	9,4	4,5		M6 / M8
47	46,5	50,5	53,5	43,0	72,8	22,0	19,5	9,8	4,5		M6 / M8
51	50,5	55,5	58,6	46,8	78,7	23,0	20,0	10,2	4,5		M6 / M8
59	58,5	64,0	66,3	52,0	88,2	23,2	21,0	10,7	4,5		M6 / M8

* H = screw diameter; wood screw (wood) / metal screw (metric)

clíc® top type selection chart for od 63 - 127mm on pipes or cables

clíc® Type	Steel		Copper	Cast iron	PE	PVC	Cable ducts	Coaxial cable	Certification			Breaking load [N]	
	mm	inch	mm	mm	mm	mm		inch	Kiwa		UL	Fx*	Fy*
63					63		63		✓		✓	1800	1000
71	76,1	2 ½"	76	78	75	75			✓		✓	2200	1300
80	88,9	3"	89						✓		✓	2600	1600
90					90				✓		✓	3000	1900
101			108	110	110	110			✓		✓	3500	2200
113	114,3	4"	114		125	125			✓		✓	4000	2500

* with 2 screws DIN 571 at +20 °C, safety factor must be considered!



Type	Clamping range		A [mm]	B [mm]	C [mm]	D [mm]	E [mm]	F [mm]	G [mm]
	min.	max.							
63	63	71	78	72	115	40	31	52	11
71	71	80	87	77	124	40	31	58	15
80	80	90	98	83	136	40	31	66	16
90	90	101	110	89	148	40	31	76	16
101	101	113	124	96	163	40	31	86	17
113	113	127	139	105	180	40	31	102	17

Material	Concentration	Resistance at +23 °C	Material	Concentration	Resistance at +23 °C
Acetic acid		●●	Milk		●●●
Acetone		●●●	Mineral oil		●●●
Acetylene		●●●	Naphthaline		●●●
Aluminium salts	aqueous	●●●	Nitric acid		○
Ammonia	aqueous	●●●	Nitrobenzene		●●
Amylacetate		●●	Oils		●●●
Aniline		●●●	Oleic acid		●●●
Antifreeze		●●●	Oleum		○
Benzene		●●●	Oxalic acid		●●●
Benzine		●●●	Oxygen		●●●
Benzyl alcohol		●	Ozone		●
Bromine		●	Paraffin oil		●●●
Butane		●●●	Perchlorethylene		●●●
Butanol		●●●	Petroleum		●●●
Carbon tetrachloride		●●	Petroleum ether		●●●
Caustic potash	10%	●●●	Phenol		●
Caustic potash	50%	●●●	Potash		●●●
Chlorbenzene		●	Propane		●●●
Chlorine		○	Pyridine		●●●
Chloroform		●	Salicylic acid		●●●
Citric acid		●●	Sea water		●●●
Copper sulphate		●●●	Silicon oils		●●●
Cresol		○	Soap suds		●●●
Decalin		●●●	Soda	10%	●●●
Eatible fat		●●●	Soda	50%	●●●
Engine oil		●●●	Sodium chloride	saturated	●●●
Ethanol		●●●	Sodium hydroxide	10%	●●●
Ether		●●●	Sodium hydroxide	50%	●●●
Ethyl acetate		●●●	Sodium silicate		●●●
Ethylene oxide		●●●	Sodium sulphate	concentrated	●●●
Fats		●●●	Starch		●●●
Fluorine gas		●	Stearic acid		●●●
Formaldehyde		●●	Stearin		●●●
Formic acid	concentrated	●	Styrene		●●●
Frigen	liquid F12	●●●	Sulphur dioxide		●●
Frigen	liquid F22	●	Sulphuric acid	10%	●●
Fuel		●●●	Sulphuric acid	concentrated	●
Glycerine		●●●	Table salt		●●●
Glycol		●●●	Tallow		●●●
Heating oil		●●●	Tartaric acid		●●●
Heptane		●●●	Tetralin		●●●
Hydraulic oil		●●●	Toluene		●●●
Hydrochloric acid	1%	●●	Transformer oil		●●●
Hydrochloric acid	10%	●	Trichlorethane		●●
Hydrogen peroxide	20%	●●	Trichlorethylene		●●
Hydrosulphide		●●●	Turpentine		●●●
Iodine tincture		○	Urea		●●●
Iso-octane		●●●	Uric acid		●●●
Isopropanol		●●●	Urine		●●●
Kaliumpermanganat		○	Vaseline		●●●
Kerosene		●●●	Vinegar		●●●
Lactic acid		●●	Water		●●●
Magnesium chloride	10%	●●●	Wax		●●●
Mercury		●●●	Xylene		●●●
Methane		●●●	Zinc chloride	aqueous	●●●
Methanol		●●			
Methylene chloride		●			

●●● resistant - ●● limited resistance - ● not resistant - ○ soluble, greatly affected

Chemical resistance

In general, polyamide 12 is resistant to many organic solvents and alkalis. Grilamid is also unaffected by petroleum fractions, oils and fats.

Concentrated acids cause relatively rapid hydrolytic degradation of all polyamides but PA 12 is resistant to dilute mineral acid and most organic acids.

The hydrolysis and environmental stress-cracking resistance of Grilamid are the most significant advantages of Grilamid in comparison to other engineering plastics.

PA 12 has a distinctly higher hydrolysis resistance than PA6 and PA66. The matrix is less hydrophilic, absorbs less water, even at elevated temperatures and, therefore, is less affected by hydrolysis.

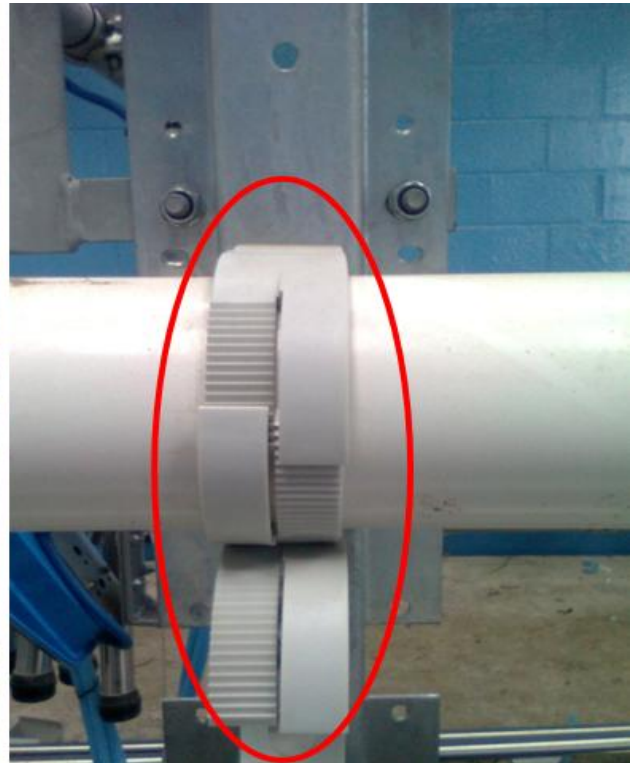
The recommendations and data given are based on our experience to date.
No liability can be assumed in connection with their usage and processing.

How to find the right clic®

The most important criteria for selection, such as type and diameter of the pipe or cable as well as existing certifications, are listed together in table form, allowing you to find quickly the right CLIC

clic® Type	Clamping range [mm]		Steel		Copper	Cast iron	PE	PVC	Cable-metric	Co-cable	Certification		Recomm. Load * [N]
	min.	max.	mm	inch	mm	mm	mm	mm	M	inch	Kiwa	UL	
8	7,8	9,5							8			✓	170
10	9,5	11,8			10				10		✓	✓	185
12	11,8	14,3	13,5	1/4"	12				12		✓	✓	200
15	14,3	16,8			15			16	16	1/2"	✓	✓	220
17	16,8	19,5	17,2	3/8"	18						✓	✓	235
20	19,5	21,8	21,3	1/2"				20	20	5/8"	✓	✓	250
22	21,8	24,8			22						✓	✓	270
25	24,8	27,8	26,9	3/4"				25	25		✓	✓	300
28	27,8	31,2			28					7/8"	✓	✓	320
32	31,2	35,5	33,7	1"	35		32	32	32		✓	✓	370
36	35,5	39,5								1 1/4"	✓	✓	400
40	39,5	43,5	42,4	1 1/4"	42		40		40		✓	✓	440
47	46,5	50,5	48,3	1 1/2"		48	50	50	50	1 5/8"	✓	✓	470
51	50,5	55,5			54						✓	✓	500
59	58,5	64,0	60,3	2"	64			63				✓	540
63	63	71					63		63		✓	✓	600
71	71	80	76,1	2 1/2"	76	78	75	75			✓	✓	740
80	80	90	88,9	3"	89						✓	✓	880
90	90	101					90				✓	✓	1000
101	101	113			108	110	110	110			✓	✓	1200
113	113	127	114,3	4"	114		125	125			✓	✓	1350

* With screw DIN 96 at + 20 °C, safety factor ~ 3 included



www.clic-original.com



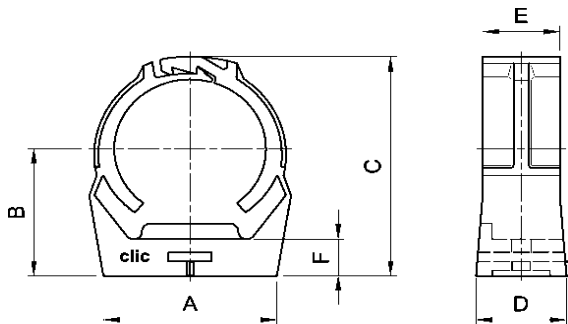
CLIC

- The economical system for a vast variety of inhouse applications

- One-piece, self locking pipe clamp
- Simple mounting without locking screws
- All types of inhouse installation
- Fast installation
- Clamping range 8-64 mm (0.31" to 2.52")
- Listed by UL,
- approved by KIWA® and UL®
- Halogen free as per IEC-Norm 754-2
- Burning behaviour as per UL94 HB

CLIC 8-64 mm

Technical information



type	A mm	B mm	C mm	D mm	E mm	F mm	safe working load in all directions* N
8	17.1	17.5	26.4	17.1	14.5	7.5	135
10	17.1	16.6	26.2	17.1	14.5	7.5	150
12	20.2	19.5	28.3	17.2	14.5	7.5	160
15	20.6	20.0	32.0	17.1	14.5	7.5	175
17	22.5	22.0	35.4	19.5	16.0	7.8	190
20	24.8	23.7	39.4	20.0	16.3	7.8	200
22	27.8	25.5	42.0	20.0	16.5	7.8	215
25	30.4	26.8	45.1	20.0	17.0	8.8	240
28	33.4	28.8	48.9	20.2	17.0	8.8	260
32	38.0	32.2	54.4	21.0	17.5	9.0	300
36	41.8	34.3	59.4	21.0	18.0	9.1	320
40	46.2	36.3	64.2	21.0	18.6	9.4	360
47	53.5	40.6	72.8	22.0	19.5	9.8	375
51	58.6	44.3	78.7	23.0	20.0	10.2	400
59	66.3	48.6	88.2	23.2	21.0	10.7	430

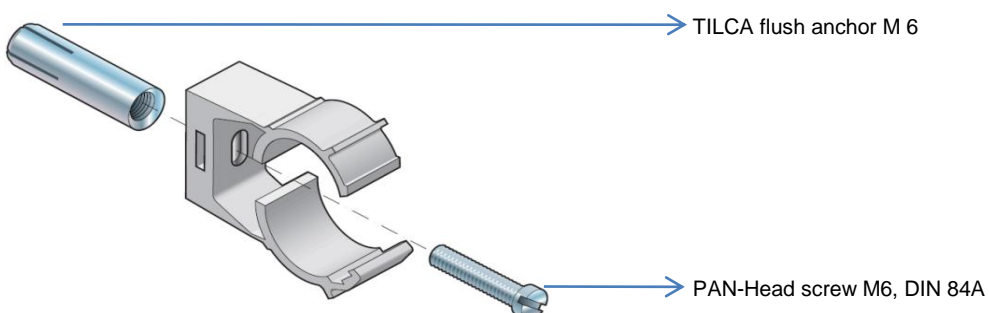
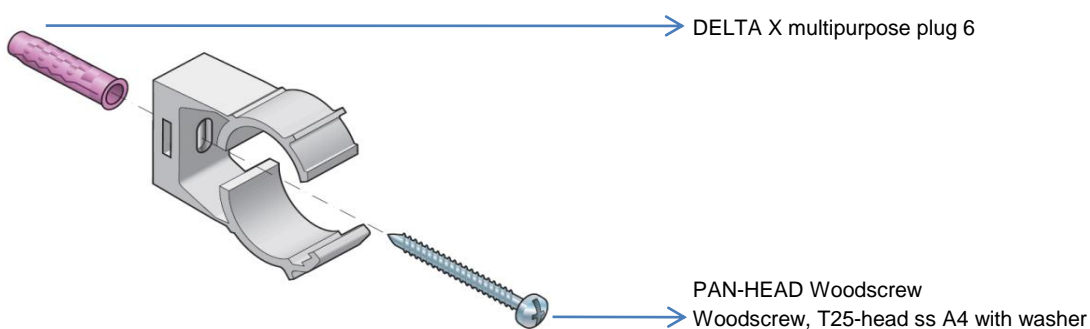
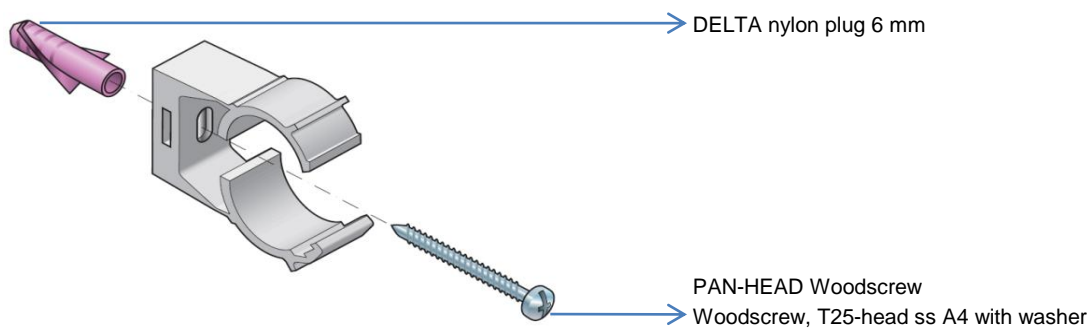
* With screw DIN 96 at + 20 °C, safety factor ~ 3 included

CLIC light grey (RAL 7035), 8–64 mm

type	clamping range Ø mm	metric norm	pcs/ carton	Item no
8	7,8 - 9,5	8	100	A 88.238
10	9,5 - 11,8	10	100	A 88.239
12	11,8 - 14,3	12	100	A 88.129
15	14,3 - 16,8	16	100	A 88.131
17	16,8 - 19,5	-	100	A 88.224
20	19,5 - 21,8	20	100	A 88.172
22	21,8 - 24,8	-	100	A 88.173
25	24,8 - 27,8	25	50	A 88.134
28	27,8 - 31,2	-	50	A 88.243
32	31,2 - 35,5	32	50	A 88.137
36	35,5 - 39,5	-	50	A 88.246
40	39,5 - 43,5	40	25	A 88.146
47	46,5 - 50,5	50	25	A 88.189
51	50,5 - 55,5	-	25	A 88.148
59	58,5 - 64,0	63	20	A 88.177



Metric norm = Euro norm NIN 2000



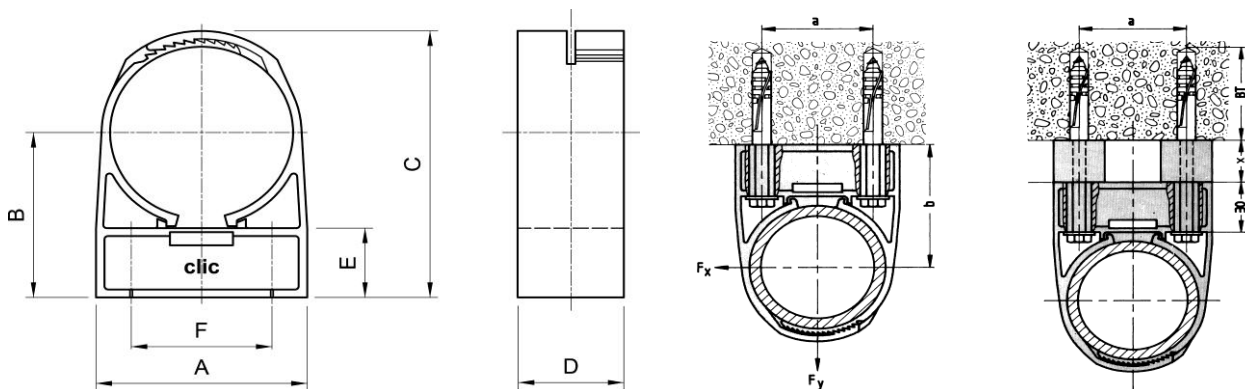
www.clic-original.com

CLIC 63-127 mm



Inhouse installations
Chemical industry
Electrical installations (cable/conduits)
Sanitary installations (cold and hot water pipes)
Water supply installations

Technical information



type	A mm	B mm	C mm	D mm	E mm	F mm	safe working load	
							F_y N	F_x N
63	78	72	115	40	31	52	420	240
71	87	77	124	40	31	58	520	310
80	98	83	136	40	31	66	620	380
90	110	89	148	40	31	76	700	450
101	124	96	163	40	31	86	840	520
113	139	105	180	40	31	102	970	590

with screw DIN 96 at + 20 °C, safety factor ~ 3 included

* Load directions as above

CLIC light grey (RAL 7035), 63-127 mm

type	clamping range Ø mm	pcs/ carton	Item no
63	63 - 71	25	A 88.950
71	71 - 80	40	A 88.951
80	80 - 90	40	A 88.952
90	90 - 101	25	A 88.953
101	101 - 113	25	A 88.954
113	113 - 127	25	A 88.955

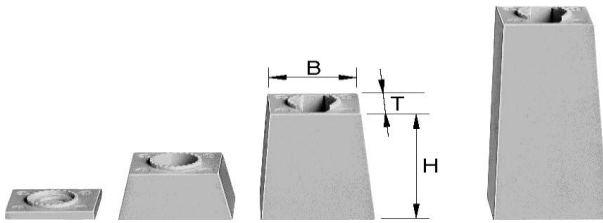


www.clic-original.com



Accessories for CLIC size 8-64 mm

CLIC spacer, light grey (RAL 7035)



size	dimension T x B x H mm	pcs/ carton	Item no
2,5	20x24x2,5	100	A 88.260
5	20x24x5	100	A 88.261
15	20x24x15	100	A 88.262
25	20x24x25	100	A 88.263
35	20x24x35	100	A 88.264
45	20x24x45	100	A 88.265
65	20x24x65	50	A 88.266
85	23x30x85	50	A 88.267



CLIC base plate for 2 pcs

for CLIC type 8–25

dimension length x depth x height mm	colour	pcs/ carton	Item no
70x20x5	light grey	50	A 88.272



CLIC base plate for 3 pcs

for CLIC type 8–25

dimension length x depth x height mm	colour	pcs/ carton	Item no
110x20x5	light grey	25	A 88.273



CLIC multiple base plate

¹ CLIC slots	dimension length mm	pcs/ carton	Item no
3	135	50	A 88.280
4	180	50	A 88.281
20	1000	10	A 88.282



¹ qty of CLIC fixing points

DELTA nylon plug

size ¹	length of plug	for wood-screw Ø mm	pcs/ carton		Item no
6	29	3.5-5	1000	1.55	A 10.102
10	48	6-8	400	3.35	A 10.105
Bulk size					
6	29	3.5-5	20000	1.50	A 10.122
10	48	6-8	4500	3.25	A 10.125

¹ Ø drill hole mm



DELTA X multipurpose plug

size ¹	length of plug	for wood-screw Ø mm	pcs/ carton		Item no
6	30	3.5-5	800		A 10.202
10	50	6-8	320		A 10.205
Bulk size					
6	30	3.5-5	6400		A 10.222
10	50	6-8	2560		A 10.225

¹ Ø drill hole mm



Pan-Head wood screw

with cross slot Z (pozidrive 2 impression), zinc plated yellow passivated

size ¹ mm	pcs/ carton	Item no
3.5x35	200	A 63.303
3,5x40	200	A 63.304
3.5x50	200	A 63.306
4,5x40	200	A 63.323
4,5x45	200	A 63.324
4.5x50	200	A 63.325

¹ Ø x length mm



Pan-Head wood screw stainless steel

with TX 20, stainless steel A2

size ¹ mm	pcs/ carton	Item no
4,5x40	200	A 63.106
4.5x50	200	A 63.107
4.5x60	200	A 63.108
4.5x70	200	A 63.109

¹ Ø x length mm

Pan-Head wood screw stainless steel

with TX 20, stainless steel A4

size ¹ mm	pcs/ carton	Item no
4,5x30	500	A 62.171
4,5x45	200	A 62.170

¹ Ø x length mm

Round-head wood screw

head T 25 with pressed-on washer, stainless steel A4
(1.4578/AISI 316)

size ¹ mm	thickn. fastened max. mm by mounting with DELTA 6	pcs/ carton	Item no
4.5x40	6	100	A 62.182
4.5x50	16	100	A 62.178
4.5x70	36	100	A 62.184
4.5x80	46	100	A 62.179
4.5x90	56	100	A 62.180
4.5x110	76	100	A 62.181
4.5x125	91	100	A 62.185
4.5x135	101	100	A 62.186

¹ Ø x length mm



Hanger bolt M 6 and M 8

for mounting with CLIC flange and DELTA 8, zinc plated
blue passivated

size ¹ mm	pcs/ carton	Item no
M6/6x45	100	A 63.100
M8/6x45	100	A 75.593
M8/6x60	100	A 75.594
M8/6x80	100	A 75.595
M8/6x120	100	A 75.596
M8/8x50	100	A 63.105

¹ Ø screw / Ø thread x length mm



CLIC flange M 6

for mounting CLIC range 8–59, zinc plated or
stainless steel A4 (1.4404/AISI 316)

description	pcs/ carton	Item no
CLIC M6 flange nut zinc plated	100	A 88.130
CLIC M6 flange nut ss A4	100	A 88.240



www.clic-original.com

CLIC flange M 8

for mounting CLIC range 32–59, zinc plated or stainless steel A4 (1.4404/AISI 316)

description	pcs/ carton	Item no
CLIC M8 flange nut zinc plated	100	A 88.285
CLIC M8 flange nut ss A4	100	A 88.286



Double-thread stud M6 and M 8

zinc plated or stainless steel A4 (1.4404/AISI 316)

size ¹ mm	qual.	pcs/ carton	Item no
M6/M6x12	zp	100	B 16.111
M6/M6x12	ss	100	B 16.115
M8/M8x22	zp	100	A 75.590



¹ thread x length mm

TILCA flush anchor

zinc plated (zp) or stainless steel A4 (ss) (1.4401/AISI 316)
with DIBt-approval

size ¹ mm	drilling hole Øxd mm	thread length in mm	qual.	pcs/ carton	Item no
M6x30	8 x 33	13	zp	100	A 42.100
M6x30	8 x 33	13	ss	100	A 42.105
M8x40	10 x 43	20	zp	100	A 42.131
M8x40	10 x 43	20	ss	100	A 42.136



¹ female thread x length of plug mm

TILCA flush anchor setting tool

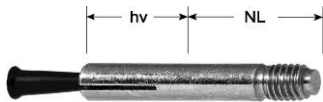
type	for flush anchor size	Item no
H-M	M5	A 42.116
H-M	M6	A 42.110
H-M	M8x40	A 42.117



TILCA Fire-resisting anchor

zinc plated or stainless steel (1.4401/AISI 316)

size ¹ mm	thread length mm	drill Øxmin. depth mm	qual.	pcs/ carton	Item no
6/54	12	6 x 32	zp	100	A 45.807
6/90	12	6 x 32	zp	100	A 45.810
6/54	12	6 x 32	ss	100	A 45.827
6/90	12	6 x 32	ss	100	A 45.830
6x102/50L	30	6 x 42	ss	100	A 45.896



Pan-head screw, zinc plated

DIN 84 A/steel 4.8

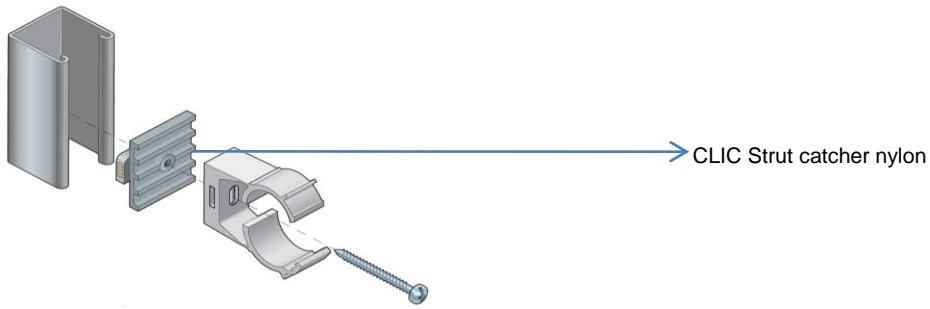
size ¹ mm	pcs/ carton	Item no
M6x20	100	A 64.119
M6x25	100	A 64.120
M6x30	100	A 64.121
M6x35	100	A 64.122
M6x45	100	A 64.123
M6x50	100	A 64.124
M6x60	100	A 64.125
M6x80	100	A 64.126
M6x100	100	A 64.127
M6x110	100	A 64.131



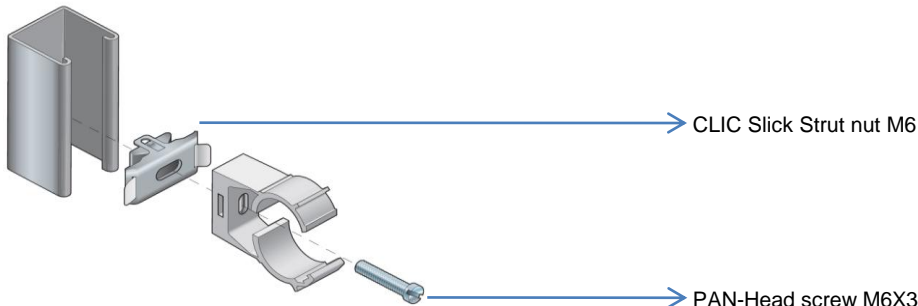
¹ thread d1 x length Ls mm



www.clic-original.com

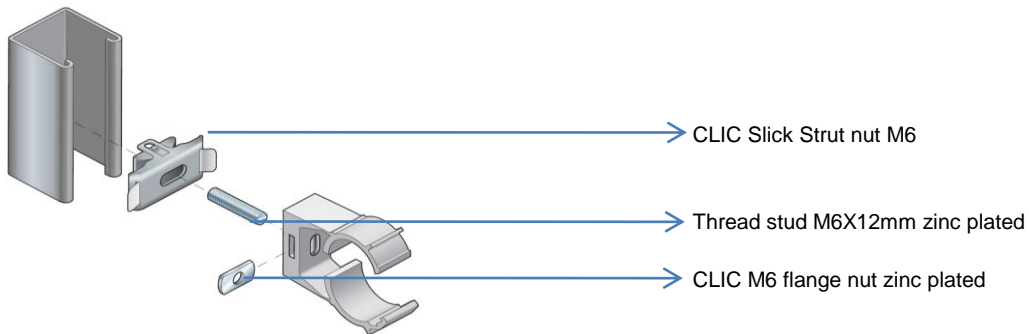


→ CLIC Strut catcher nylon



→ CLIC Slick Strut nut M6

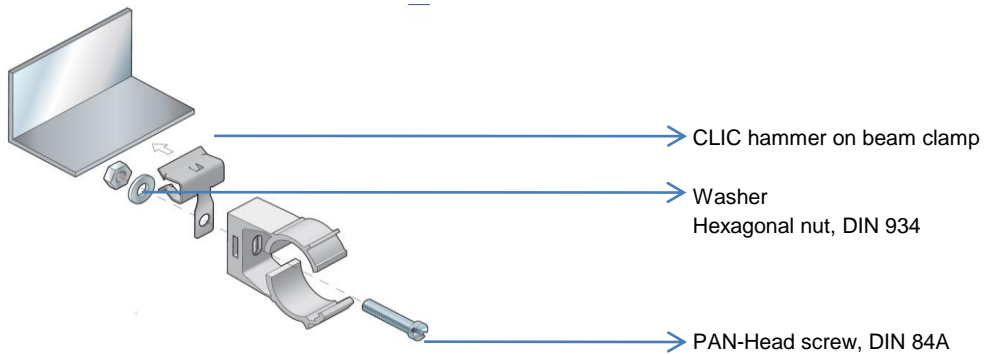
→ PAN-Head screw M6X30mm zinc plated, DIN 84A



→ CLIC Slick Strut nut M6

→ Thread stud M6X12mm zinc plated

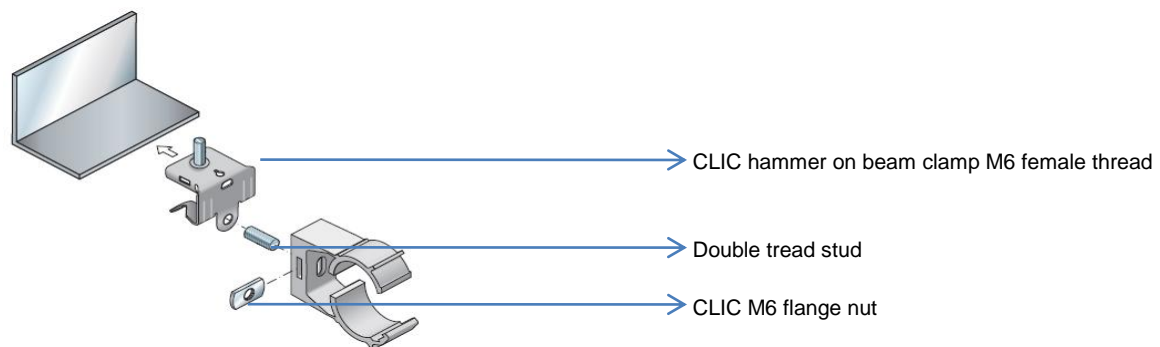
→ CLIC M6 flange nut zinc plated



→ CLIC hammer on beam clamp

→ Washer
Hexagonal nut, DIN 934

→ PAN-Head screw, DIN 84A



→ CLIC hammer on beam clamp M6 female thread

→ Double tread stud

→ CLIC M6 flange nut

Accessories CLIC 63-127 mm

Base plate

zinc plated and passivated or stainless steel A4
(1.4404/AISI 316)

thread size	l x w ¹	qual.	pcs/ carton	Item no
M8	110x40	zp	50	A 73.343
M8	110x40	ss	50	A 73.666
M12	110x40	zp	50	A 73.342
M12	110x40	ss	50	A 73.662
1/2"	110x40	zp	50	A 73.346
3/8"	110x40	zp	50	A 73.347



¹ hole Ø 11 mm, distance between holes 80 mm

CLIC flange

zinc plated and passivated or stainless steel A4
(1.4404/AISI 316)

thread size	dim. l x w x h	qual.	pcs/ carton	Item no
M8	20x20x6	zp	25	A 88.382
M10	20x20x6	zp	25	A 88.381
M10	20x20x6	ss	25	A 88.386
M12	20x20x6	ss	25	A 88.385



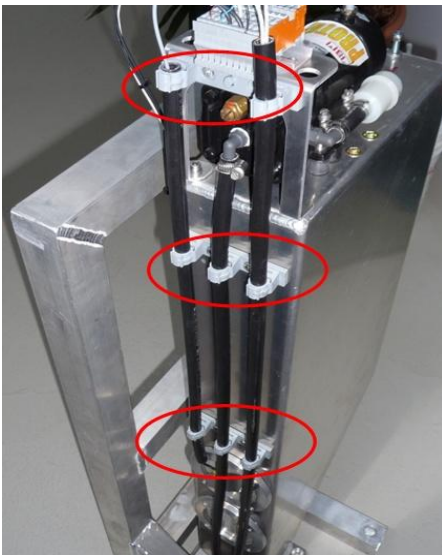
Hex wood screw with washer

zinc plated, blue passivated

size ¹	washer Ø mm	span mm	pcs/ carton	Item no
8x40	20	13	100	A 62.190
8x60	20	13	100	A 62.192



¹ Ø of screw x length mm



www.clic-original.com

Technical data sheet

clic® 8 - 64 mm / 63 - 127 mm

Application areas

Installation in the **internal area**
Chemical industry
Electrical installations (cable/conduits)
Sanitary installations (cold and hot water pipes)
Swimming pools: technical cabinets / racks
Switching cabinets / Electrical racks

Features

Self-locking system without tools
Clamping range 8 - 127 mm (0.31" to 5")
Mounting with bolts or wood screws
Very little moisture absorption
Approved by KIWA® and UL®
Switching cabinets / Electrical racks

Technical data clic® 8 - 64 mm

Material quality	High quality copolymer
Density at +20 °C	1,21 g/cm ³
Elongation at yield	5%
E-Modulus in tension	2100 MPa
Water absorption at 23 °C	0,50 %
Moisture absorption (23 °C / 50 % R.H.)	0,15 %
Shore hardness D	82
Dielectric strength	33 kV/mm
Weather proof	-25 °C up to +90 °C
Mounting temperature	down to -10 °C
Maximum service temperature short term	+120 °C
Maximum service temperature long term	+75 to +90 °C
Flammability	HB according to UL 94
Fire class	B2 according to DIN 4102
Halogen	halogen free as per IEC 754-2
Petrol, diesel, oil	resistant
Corrosion	resistant
Weather-proof	no decomposition with correct use
UV	UV-stabilized as per ISO 4892-2
Standard colours	light grey (RAL 7035)
Special colours	on request

Technical data clic® 63 - 127 mm

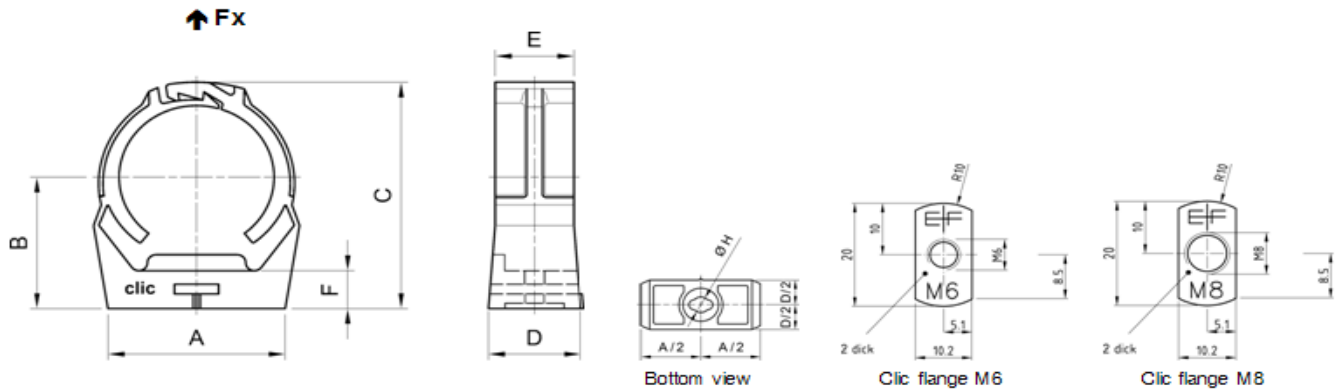
Material quality	High quality PP homopolymere
Density at +20 °C	0,91 g/cm ³
Tensile strain at yield	9%
Tensile modulus	1500 MPa
Hardness, Rockwell	98 R-scale
Service temperature	-10 °C to +80 °C
Melting temperature	+230 °C
Flammability	HB according to UL 94
Halogen	halogen free as per IEC 754-2
Corrosion	resistant
UV	not stabilized
Standard colour	light grey (RAL 7035)
Special colour	on request

www.clic-original.com

clic® type selection chart for od 8 - 64mm on pipes or cables

clic® Type	Steel		Copper	Cast iron	PE	PVC	Cable-metric measur	Coaxial cable	Certification			Breaking load [N]
	mm	inch	mm	mm	mm	mm	M	inch	Kiwa		UL	Fx**
8							8				✓	450
10			10				10		✓		✓	470
12	13,5	1/4"	12				12		✓		✓	500
15			15			16	16	1/2"	✓		✓	650
17	17,2	3/8"	18						✓		✓	700
20	21,3	1/2"				20	20	5/8"	✓		✓	750
22			22						✓		✓	800
25	26,9	3/4"				25	25		✓		✓	900
28			28					7/8"	✓		✓	950
32	33,7	1"	35		32	32	32		✓		✓	1100
36								1 1/4"	✓		✓	1200
40	42,4	1 1/4"	42		40		40		✓		✓	1350
47	48,3	1 1/2"		48	50	50	50	1 5/8"	✓		✓	1400
51			54						✓		✓	1500
59	60,3	2"	64			63					✓	1600

** with screw DIN 96 at +20 °C, safety factor must be considered!



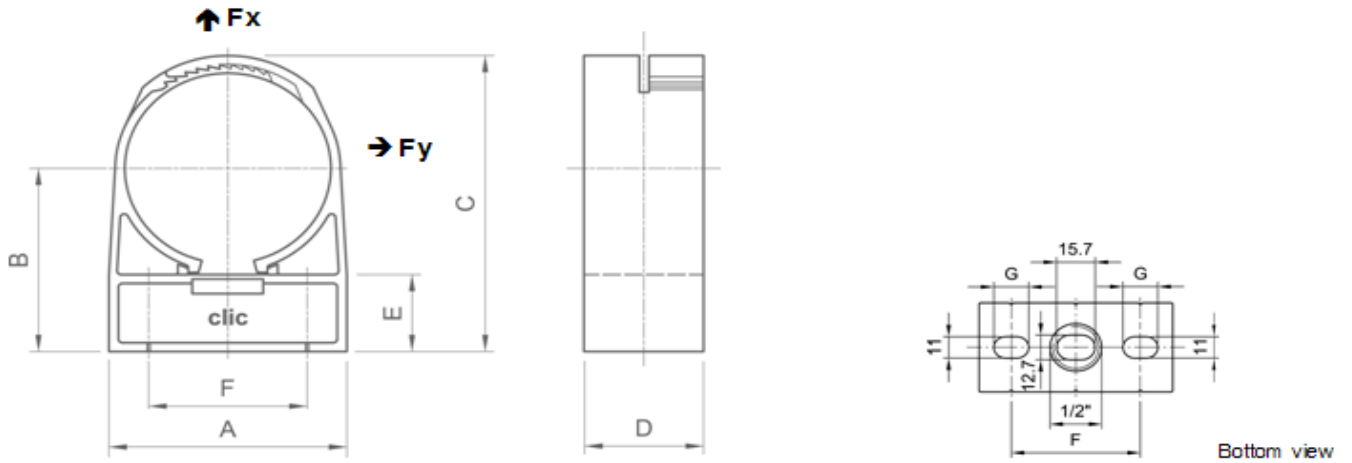
clic® Type	Clamping range [mm]		A [mm]	B [mm]	C [mm]	D [mm]	E [mm]	F [mm]	H*		
	min.	max.							wood [mm]		metric
8	7,8	9,5	17,1	17,5	26,4	17,1	14,5	7,5	3,5		M6
10	9,5	11,8	17,1	17,5	26,2	17,1	14,5	7,5	3,5		M6
12	11,8	14,3	20,2	19,5	28,3	17,2	14,5	7,5	3,5		M6
15	14,3	16,8	20,6	18,8	32,0	17,1	14,5	7,5	3,5		M6
17	16,8	19,5	22,5	23,7	35,4	19,5	16,0	7,8	4,5		M6
20	19,5	21,8	24,8	24,9	39,4	20,0	16,3	7,8	4,5		M6
22	21,8	24,8	27,8	26,0	42,0	20,0	16,5	7,8	4,5		M6
25	24,8	27,8	30,4	28,0	45,1	20,0	17,0	8,8	4,5		M6
28	27,8	31,2	33,4	31,7	48,9	20,2	17,0	8,8	4,5		M6
32	31,2	35,5	38,0	34,5	54,4	21,0	17,5	9,0	4,5		M6 / M8
36	35,5	39,5	41,8	36,5	59,4	21,0	18,0	9,1	4,5		M6 / M8
40	39,5	43,5	46,2	38,2	64,2	21,0	18,6	9,4	4,5		M6 / M8
47	46,5	50,5	53,5	43,0	72,8	22,0	19,5	9,8	4,5		M6 / M8
51	50,5	55,5	58,6	46,8	78,7	23,0	20,0	10,2	4,5		M6 / M8
59	58,5	64,0	66,3	52,0	88,2	23,2	21,0	10,7	4,5		M6 / M8

* H = screw diameter; wood screw (wood) / metal screw (metric)

clíc® type selection chart for od 63 - 127mm on pipes or cables

clíc® Type	Steel		Copper	Cast iron	PE	PVC	Cable ducts	Coaxial cable	Certification			Breaking	
	mm	inch	mm	mm	mm	mm		inch	Kiwa		UL	Fx*	Fy*
63					63		63		✓		✓	1440	800
71	76,1	2 ½"	76	78	75	75			✓		✓	1760	1040
80	88,9	3"	89						✓		✓	2080	1280
90					90				✓		✓	2400	1520
101			108	110	110	110			✓		✓	2800	1760
113	114,3	4"	114		125	125			✓		✓	3200	2000

* with 2 screws DIN 571 at +20 °C, safety factor must be considered!



Type	Clamping range		A [mm]	B [mm]	C [mm]	D [mm]	E [mm]	F [mm]	G [mm]
	min.	max.							
63	63	71	78	72	115	40	31	52	11
71	71	80	87	77	124	40	31	58	15
80	80	90	98	83	136	40	31	66	16
90	90	101	110	89	148	40	31	76	16
101	101	113	124	96	163	40	31	86	17
113	113	127	139	105	180	40	31	102	17



www.clíc-original.com

Material	Concentration	Resistance at +23 °C	Material	Concentration	Resistance at +23 °C
Acetic acid	5%	●●	Heating oil		●●●●
Acetone		●	Heptane, Hexane		●●●●
Acetylene		●●●●	Hydraulic oil		●●
Ammonia	liquid	●●	Hydrochloric acid	10%	●●●●
Benzene		●●●●	Hydrogen fluoride		●●
Brake fluid		●●●●	Inert gas		●●●●
Butane		●●●●	Iso-octane		●●●●
Butanol		●●	Isopropanol		●●●●
Butyl acetate		●●	Ketone aliphatic		●
Carbon monoxide		●●●●	Lacquer		●●●●
Carbon tetrachloride		●	Methanol		●●●●
Carbonic acid		●●●●	Methylene chloride		●
Caustic potash	10%	●	Mineral oil		●●●●
Chlorobenzene		●	Naphthaline		●●
Chlorine gas		●	Nitric acid	10%	●●
Chloroform		●	Nitrohydrochloric acid		●
Citric acid	10%	●●●●	Oleum		●
Decalin		●●	Ozone		●
Dibutylphthalate		●●	Paraffin		●●●●
Diesel fuel		●●●●	Perchloric acid		●
Dimethyl formamide		●	Petroleum ether		●●●●
Dimethylether		●●	Phosphoric acid	10%	●●●●
Diocetylphthalate		●●	Potassium hypochlorite		●●●●
Dioxan		●	Silicon oils		●●●●
Engine oil		●●●●	Sodium hydroxide	10%	●
Ethanol		●●●●	Soldering water		●●
Ethyl acetate		●●	Sulphuric acid	10%	●●●●
Ethyl ether		●●●●	Styrol		●●
Ethylene oxide		●●●●	Tetrahydrofurene		●
Fatty acid		●●	Toluene		●●
Fatty alcohol		●●●●	Transmission oil		●●●●
Formic acid	10%	●●●●	Trichlorethane		●
Glycerine		●●●●	Trichlorethylene		●
Glycol		●●●●	Turpentine		●●
Glysantine		●●●●	Turpentine oil replacement		●●
			Xylene		●●

- resistant, none or little change of weight
- limited resistance, contact short-term possible
- not resistant

The recommendations and data given are based on our experience to date.
No liability can be assumed in connection with their usage and processing.

How to find the right clic®

The most important criteria for selection, such as type and diameter of the pipe or cable as well as existing certifications, are listed together in table form, allowing you to find quickly the right CLIC

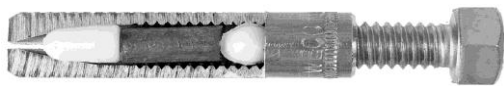
clic® Type	Clamping range [mm]		Steel		Copper	Cast iron	PE	PVC	Cable- metric measur-	Co- cable	Certification		Recomm. Load * [N]
	min.	max.	mm	inch	mm	mm	mm	mm	M	inch	Kiwa	UL	
8	7,8	9,5							8			✓	170
10	9,5	11,8			10				10		✓	✓	185
12	11,8	14,3	13,5	1/4"	12				12		✓	✓	200
15	14,3	16,8			15			16	16	1/2"	✓	✓	220
17	16,8	19,5	17,2	3/8"	18						✓	✓	235
20	19,5	21,8	21,3	1/2"				20	20	5/8"	✓	✓	250
22	21,8	24,8			22						✓	✓	270
25	24,8	27,8	26,9	3/4"				25	25		✓	✓	300
28	27,8	31,2			28					7/8"	✓	✓	320
32	31,2	35,5	33,7	1"	35		32	32	32		✓	✓	370
36	35,5	39,5								1 1/4"	✓	✓	400
40	39,5	43,5	42,4	1 1/4"	42		40	40	40		✓	✓	440
47	46,5	50,5	48,3	1 1/2"		48	50	50	50	1 5/8"	✓	✓	470
51	50,5	55,5			54						✓	✓	500
59	58,5	64,0	60,3	2"	64			63				✓	540
63	63	71					63	63			✓	✓	600
71	71	80	76,1	2 1/2"	76	78	75	75			✓	✓	740
80	80	90	88,9	3"	89						✓	✓	880
90	90	101					90				✓	✓	1000
101	101	113			108	110	110	110			✓	✓	1200
113	113	127	114,3	4"	114		125	125			✓	✓	1350

* With screw DIN 96 at + 20 °C, safety factor ~ 3 included



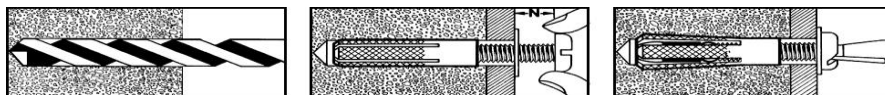
www.clic-original.com

WECO brass anchor



size	bolt length	re-tightening margin mm	axle dist. min. mm	recom. Retaining value off B30/20* N
M4	15 + K	10	65	500
M5	20 + K	15	85	1000
M6	20 + K	15	100	1200
M8	25 + K	20	130	2000
M10	25 + K	20	160	2500

* safety factor ~ 5 included
K = thickness of fastening part



size ¹	od x l mm	hole Ø x depth mm	pcs/ carton	Item no
M4	5.5x21	5.5x30	100	A 22.100
M5	7x26.5	7x35	100	A 22.101
M6	8x30	8x40	100	A 22.102
M8	11x40	11x50	100	A 22.104
M10	14x48	14x58	50	A 22.105
bulk size				
M4	5.5x21	5.5x30	1000	A 22.120
M5	7x26.5	7x35	1000	A 22.121
M6	8x30	8x40	1000	A 22.122
M8	11x40	11x50	500	A 22.123
M10	14x48	14x58	250	A 22.124



www.clic-original.com



Egli, Fischer & Co. Ltd.
Gotthardstrasse 6
8022 Zürich
Switzerland

Phone: +41 44 209 84 03
Fax: +41 44 209 84 90

www.clic-original.com
info@clic-original.com
www.efco.ch