

# Technical data sheet clic® 63 – 127 mm

## 1. Manufacturer

Egli, Fischer & Co. Ltd.  
 Gotthardstrasse 6  
 P.O. Box  
 8022 Zurich  
 Switzerland

## 2. Product description

One-piece, self locking plastic pipe clamp for indoor applications

## 3. Application areas

- Installation in indoor areas
- Chemical industry
- Electrical installations (tubular cable protection)
- Sanitary installation (cold and hot water pipes)
- Swimming pool: technical cabinets / -racks
- Switching cabinets / Electrical racks

## 4. Features

- Locking system without additional screws
- Clamping range 63 – 127 mm (2.48" to 5")
- Mounting with threaded or wood screws
- Very little moisture absorption
- Approved by KIWA®, UL® and IAPMO R&T/UPC®

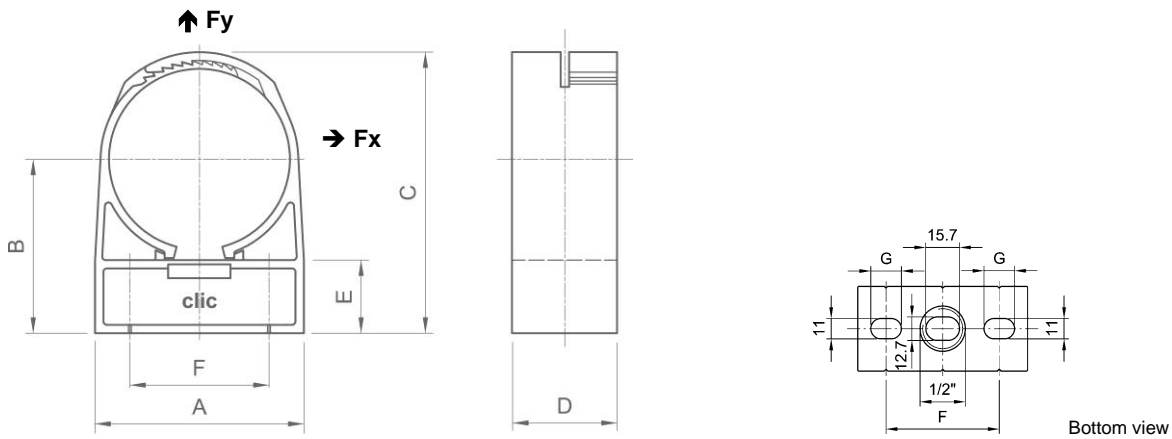
## 5. Technical data

<b>Material quality</b>	High quality PP homopolymere
<b>Density at +20 °C</b>	0,91 g/cm <sup>3</sup>
<b>Tensile strain at yield</b>	9 %
<b>Tensile modulus</b>	1500 MPa
<b>Hardness, Rockwell</b>	98 R-scale
<b>Service temperature</b>	-10 °C to +80 °C
<b>Melting temperature</b>	+230 °C
<b>Flammability</b>	HB according to UL 94
<b>Halogen</b>	halogen free as per IEC 754-2
<b>Corrosion</b>	resistant
<b>UV</b>	not stabilized
<b>Standard color</b>	light grey (RAL 7035)
<b>Special color</b>	on request

## 6. CLIC product information

Type	Steel		Copper	Cast iron	PE	PVC	Cable ducts metric measures	Coaxial cable inch	Certification		Breaking load [N]	
	mm	inch	mm	mm	mm	mm			UPC	UL	Fy*	Fx*
63					63		63		✓	✓	1440	800
71	76,1	2 ½"	76	78	75	75			✓	✓	1760	1040
80	88,9	3"	89						✓	✓	2080	1280
90					90				✓	✓	2400	1520
101			108	110	110	110			✓	✓	2800	1760
113	114,3	4"	114		125	125			✓	✓	3200	2000

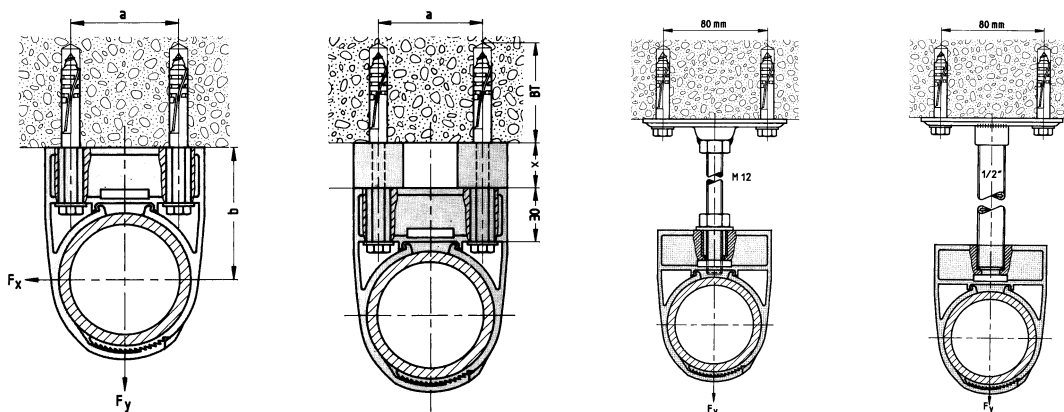
\* with 2 screws DIN 571 at +20 °C, safety factor must be considered!



Type	Clamping range [mm]		A [mm]	B [mm]	C [mm]	D [mm]	E [mm]	F [mm]	G [mm]	Breaking load [N]	
	min.	max.								Fy*	Fx*
63	63	71	78	72	115	40	31	52	11	1440	800
71	71	80	87	77	124	40	31	58	15	1760	1040
80	80	90	98	83	136	40	31	66	16	2080	1280
90	90	101	110	89	148	40	31	76	16	2400	1520
101	101	113	124	96	163	40	31	86	17	2800	1760
113	113	127	139	105	180	40	31	102	17	3200	2000

\* with 2 screws Ø 8 mm DIN 571 at +20 °C, safety factor must be considered!

## 7. CLIC mounting examples



---

## 8. CLIC accessoires



**DELTA nylon plug**



**Hexagonal wood screw**



**Base plate**



**Steel tube with o.d. threading**



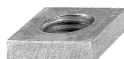
**Steel bar with metric threading**



**TILCA Anchor bolt**



**CLIC spacers**



**CLIC flange**