

## NORMACONNECT® GRIP E–FP

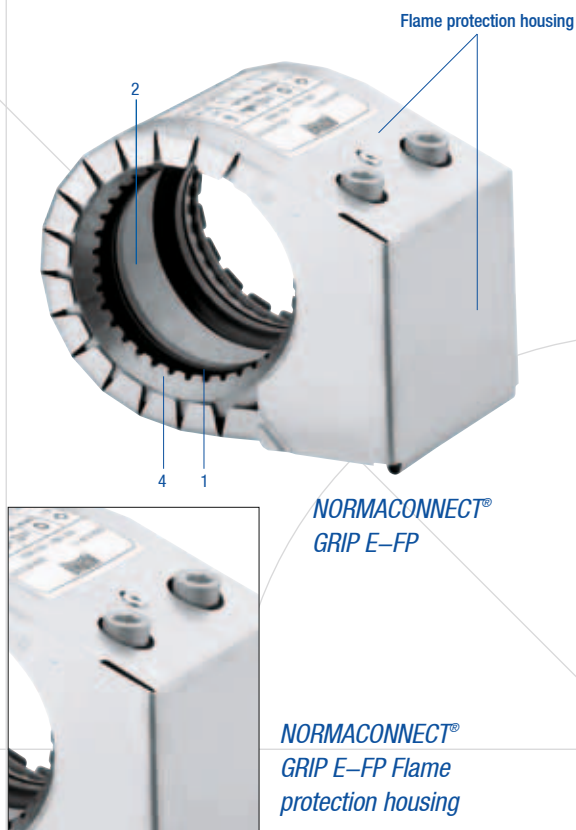
### THE FIRE RESISTANT COUPLING

NORMACONNECT® GRIP E–FP pipe couplings with integrated flame protection are used with applications in the marine sector (civil and military) as well as in sprinkler systems. For this purpose the GRIP E type has been equipped with an additional housing made from stainless steel plus a fire-resistant lining which can resist temperatures of up to 850°C. The pipe coupling meets the newest VdS directives, IACS P2.11 and ISO 19921/22. Sizes, pressures and dimensions on request.

NORMACONNECT® GRIP E–FP Features:

1. **Double-lip sealing system\***
2. **Standard strip insert\***
4. **Conically stamped anchoring ring\***

\* For details refer to Product benefits pages 6–7.



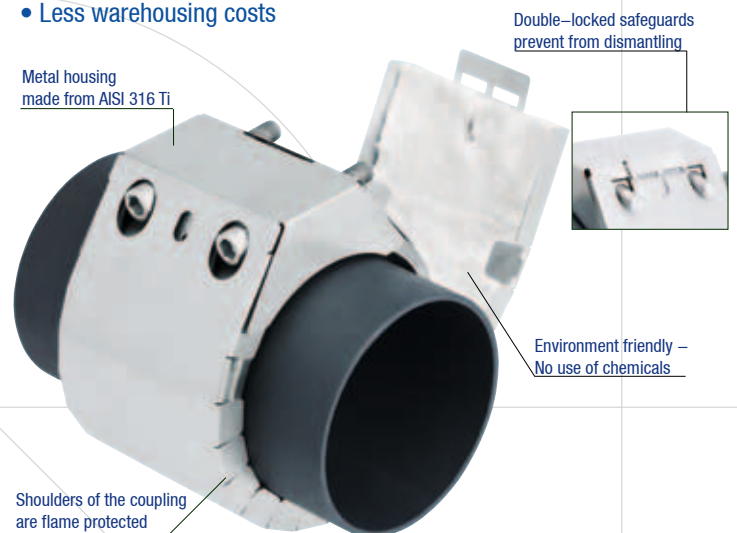
## NORMACONNECT® RFP

### RFP FOR APPLICATION AT SHIPBUILDING

The NEW NORMACONNECT® RFP is a retrofittable flame protection housing that has been specially designed for use with all NORMACONNECT® FLEX, GRIP and REP pipe couplings. Its low weight and straightforward design allows quick, easy assembly without any tools and the built-in flame resistant mineral fibre mat provides a premium level of flame protection.

The new Retrofit Flame Protection (RFP) housing has been extensively tested and is approved by Germanischer Lloyd. Approvals are also underway with Bureau Veritas, American Bureau of Shipping, Det Norske Veritas, Lloyd's Register RINA, Korean Register of Shipping, Russian Maritime Register of Shipping, Polski Rejestr Statkon and Nippon Kaiji Kyokai / Class NK.

- Flame resistant up to 850°C
- Retrofittable
- Easy assembly without tooling
- Low weight
- Meets IACS requirements
- No chemicals in flame protection mat
- High flexibility
- Clear identification whether coupling is flame protected or not
- Mechanical stress resistant
- Less warehousing costs



### Enquiries/ordering

When making enquiries or placing orders please indicate  
(Available in sizes 30.0 up to 406.4 mm):

1. The type (GRIP E–FP).....	GRIP E–FP
2. The required material (W5), (cf. page 10) .....	W5
3. The pipe outside diameter OD, (cf. table) .....	406.4
4. The sealing sleeve material (EPDM, NBR) .....	EPDM

For this example, the order text would read: NORMACONNECT® GRIP E–FP – W5 – 406.4 – EPDM