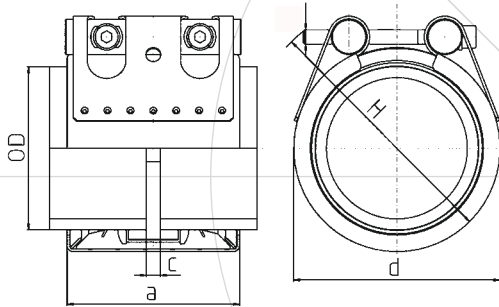



NORMACONNECT® FLEX 3



NORMACONNECT® FLEX 3

OD (mm)	Clamping range		WP ¹⁾  (bar)	C _{max} (mm)	Clamping range		
	ODmin (mm)	– ODmax (mm)			a (mm)	d clamped approx. (mm)	H approx. (mm)
326.0	322.0	– 329.0	16.5	65	211	365	405
355.6	352.0	– 359.0	15.5	65	211	395	435
406.4	402.0	– 410.0	13.5	65	211	445	485
429.0	426.0	– 431.0	12.5	65	211	465	505
442.0	439.0	– 444.0	12.0	65	211	480	520
457.2	454.0	– 459.0	12.0	65	211	495	535
508.0	505.0	– 510.0	10.5	65	211	545	585
531.0	528.0	– 534.0	10.0	65	211	570	610
558.8	556.0	– 562.0	9.5	65	211	595	635
609.6	606.0	– 613.0	9.0	65	211	645	685
634.0	631.0	– 637.0	8.5	65	211	670	710
711.2	707.0	– 715.0	7.5	65	211	750	790
762.0	758.0	– 766.0	7.0	65	211	800	840
812.8	808.0	– 817.0	6.5	65	211	850	890
914.4	909.0	– 919.0	6.0	65	211	950	990
1016.0	1013.0	– 1019.0	5.0	65	211	1055	1095
1117.5	1114.0	– 1120.0	4.5	65	211	1155	1195
1219.2	1216.0	– 1222.0	4.0	65	211	1255	1295
1320.8	1314.0	– 1328.0	3.0	65	211	1360	1400
1422.4	1415.0	– 1430.0	3.0	65	211	1460	1500
1524.0	1516.0	– 1532.0	2.5	65	211	1560	1600
1625.6	1617.0	– 1634.0	2.5	65	211	1665	1705
1727.2	1718.0	– 1736.0	2.0	65	211	1765	1805
1828.8	1819.0	– 1838.0	2.0	65	211	1865	1905
1930.4	1920.0	– 1940.0	2.0	65	211	1970	2010
2032.0	2021.0	– 2042.0	1.5	65	211	2070	2110

¹⁾ WP is the max working pressure in industrial applications, based on a safety factor as per NORMA specification.

For the pipes to be joined the max. **difference in diameter** must not exceed 5 mm.

All pipe couplings ≥ 800 mm are in 2 parts.