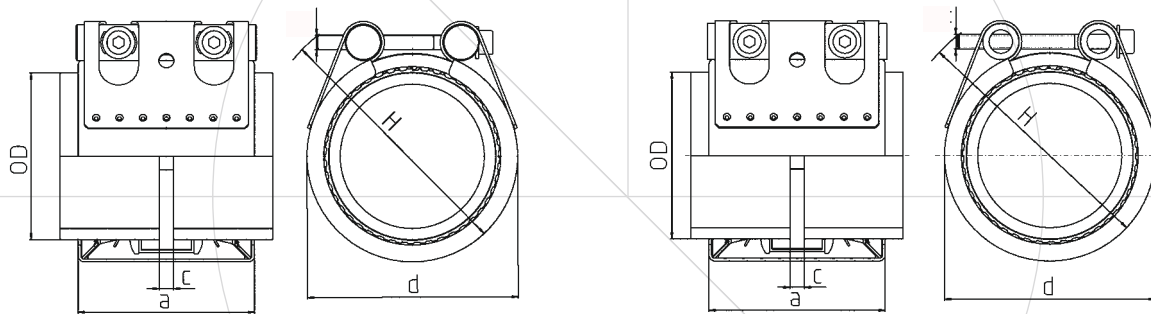




NORMACONNECT® GRIP/GRIP E



NORMACONNECT® GRIP

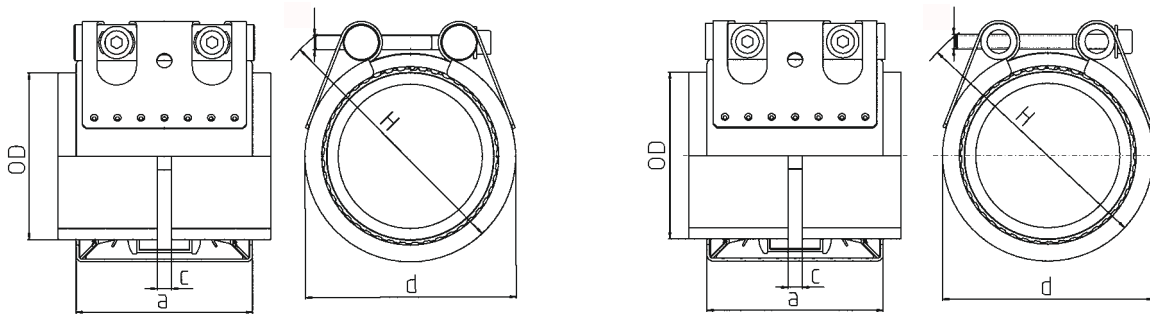
NORMACONNECT® GRIP E

OD (mm)	Clamping range ODmin – ODmax (mm)	PN ¹⁾  (bar)	WP ²⁾  (bar)	C _{max} (mm)	Dimensions		
					a (mm)	d clamped approx. (mm)	H approx. (mm)
26.9	26.4 – 27.5	16	70	3	67	50	70
28.0	27.5 – 28.5	16	70	3	67	50	70
30.0	29.5 – 30.6	16	70	3	67	50	70
33.7	33.0 – 34.3	16	60	3	67	55	75
35.0	34.5 – 35.6	16	60	8	63	55	75
38.0	37.5 – 38.6	16	60	8	63	60	80
42.4	41.7 – 43.0	16	50	8	63	65	85
44.5	44.0 – 45.1	16	50	8	63	65	85
48.3	47.6 – 50.5	16	50	8	63	70	90
54.0	53.3 – 54.6	16	50	17	78	75	95
57.0	56.3 – 57.7	16	50	17	78	80	100
60.3	59.5 – 61.0	16	40	17	78	85	105
63.0	62.2 – 63.9	16	40	17	78	85	105
70.0	69.0 – 71.0	16	40	25	98	90	110
73.0	72.1 – 73.8	16	40	25	98	95	115
76.1	75.2 – 77.0	16	35	25	98	100	120
78.0	77.1 – 78.9	16	35	25	98	100	120
80.0	79.0 – 80.8	16	35	25	98	100	120
84.0	83.0 – 85.0	16	35	25	98	105	125
88.9	87.0 – 89.9	16	35	25	98	110	130
101.6	100.4 – 102.8	16	35	25	98	125	145
104.0	102.8 – 106.1	16	35	25	98	125	145
110.0	108.8 – 111.4	16	35	25	98	130	150
114.3	113.0 – 115.5	16	35	25	98	135	155
122.0	120.8 – 123.2	16	32	35	115	145	165
129.0	127.6 – 131.1	16	32	35	115	155	185
133.0	131.5 – 134.4	16	32	35	115	160	190
139.7	138.1 – 141.6	16	32	35	115	165	195
141.3	139.6 – 142.8	16	32	35	115	170	200
154.0	152.3 – 156.1	16	32	35	115	180	210
159.0	157.3 – 160.7	16	32	35	115	185	215
168.3	166.5 – 170.1	16	32	35	115	195	225

¹⁾ PN (nominal pressure) is the max. admissible working pressure in shipbuilding, based on a safety factor of ≥ 4 .



²⁾ WP is the max. working pressure in industrial applications, based on a safety factor as per NORMA specification.

NORMACONNECT® GRIP/GRIP E



NORMACONNECT® GRIP

NORMACONNECT® GRIP E

OD (mm)	Clamping range ODmin – ODmax (mm)	MAWP ¹⁾		WP ²⁾		C _{max} (mm)	Clamping range				
		 (bar)		 (bar)			a (mm)		d clamped approx. (mm)	H approx. (mm)	
		GRIP	GRIP E	GRIP	GRIP E		GRIP	GRIP E			
193.7	192.0 – 196.0	16.0	10.0	32.0	20.0	35	142	141	225	255	
206.0	202.0 – 208.0	16.0	10.0	32.0	20.0	35	142	141	240	270	
219.1	216.0 – 221.0	16.0	10.0	32.0	20.0	35	142	141	250	280	
225.0	222.0 – 227.0	13.0	10.0	26.5	16.0	35	142	140	255	285	
229.9	228.0 – 232.0	13.0	5.5	26.0	16.0	35	142	140	260	290	
244.5	242.0 – 247.0	12.0	5.5	24.5	15.0	35	142	140	275	305	
254.0	250.0 – 256.0	11.5	5.5	22.5	14.0	35	142	140	285	315	
267.0	264.0 – 269.0	11.0	5.5	22.5	13.5	35	142	140	300	330	
273.0	270.0 – 275.0	11.0	5.5	22.0	13.0	35	142	140	305	335	
306.0	302.0 – 308.0	9.5	5.5	19.5	10.5	35	142	140	340	370	
323.9	320.0 – 327.0	6.5	3.0	13.0	9.5	35	142	140	355	385	
326.0	322.0 – 329.0	6.5	3.0	13.0	9.5	35	142	140	360	390	
355.6	352.0 – 359.0	6.0	2.7	12.0	8.5	35	142	140	390	420	
406.4	402.0 – 410.0	4.5	2.5	9.0	7.0	35	142	140	440	470	
429.0	426.0 – 431.0	4.0	2.5	8.5	6.5	35	142	140	460	490	
442.0	439.0 – 444.0	4.0	2.5	8.0	6.5	35	142	140	475	505	
457.2	454.0 – 459.0	4.0	2.5	8.0	6.0	35	142	140	490	520	
508.0	505.0 – 510.0	2.5	2.0	5.0	4.0	35	142	140	540	570	
531.0	528.0 – 534.0	2.5	1.5	5.0	4.0	35	142	140	565	595	
558.8	556.0 – 562.0	2.0	1.5	4.5	3.5	35	142	140	590	620	
609.6	606.0 – 613.0	1.5	1.0	3.0	2.0	35	142	140	640	670	
634.0	631.0 – 637.0	1.5	---	3.0	---	35	142	---	665	695	
711.2	707.0 – 715.0	1.5	---	2.5	---	35	142	---	745	775	

¹⁾ **MAWP** (maximum allowable working pressure) is the max. admissible working pressure in shipbuilding, based on a safety factor of ≥ 4 .

²⁾ **WP** is the max working pressure in industrial applications, based on a safety factor as per NORMA specification.

For the pipes to be joined the max. difference in diameter must not exceed 5 mm.