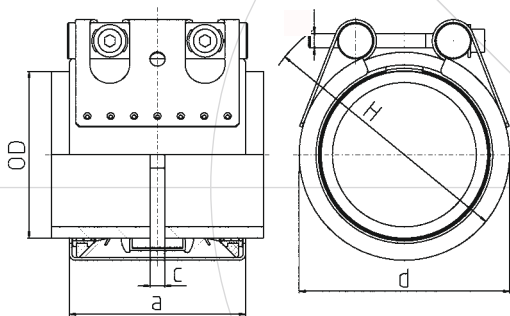
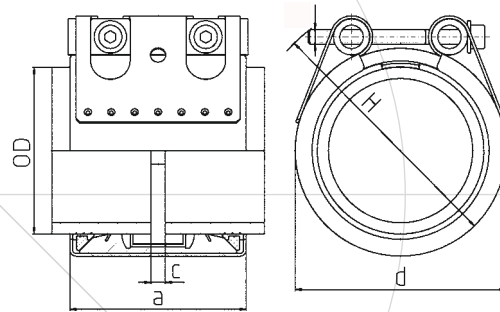




NORMACONNECT® PLAST GRIP E



NORMACONNECT® PLAST GRIP



NORMACONNECT® PLAST GRIP E

OD (mm)	Clamping range ODmin – ODmax Plastics (mm)	PN ¹⁾  (bar)	WP ²⁾  (bar)	C _{max} (mm)	Clamping range		
					a (mm)	d clamped approx. (mm)	H approx. (mm)
40.0	39.0 – 40.5	10	16	8	62	60	80
42.4	41.7 – 43.0	10	16	8	62	65	85
48.3	47.6 – 49.5	10	16	8	62	70	90
50.0	49.0 – 50.5	10	16	8	62	70	90
60.3	59.5 – 61.0	10	16	17	78	85	105
63.0	62.0 – 63.5	10	16	17	78	85	105
73.0	72.0 – 74.0	10	16	25	98	95	115
75.0	74.0 – 76.0	10	16	25	98	100	120
76.0	75.0 – 77.0	10	16	25	98	100	120
88.9	88.0 – 90.0	10	16	25	98	110	130
90.0	89.0 – 91.0	10	16	25	98	110	130
101.6	100.4 – 102.8	10	16	25	98	125	145
110.0	109.0 – 111.0	10	16	25	98	130	150
114.3	113.0 – 115.5	10	16	25	98	135	155
140.0	139.0 – 141.0	10	16	35	115	160	180
141.3	138.1 – 141.6	10	16	35	115	165	185
160.0	159.0 – 162.0	10	16	35	115	180	200
168.3	166.5 – 170.1	10	16	35	115	190	210
180.0	178.0 – 182.0	–	16	35	142	210	240
200.0	198.0 – 202.0	–	16	35	142	230	260
219.1	217.0 – 222.0	–	16	35	142	250	280
225.0	222.0 – 227.0	–	10	35	142	255	285
250.0	247.0 – 253.0	–	10	35	142	280	310
273.0	271.0 – 276.0	–	10	35	142	305	335
280.0	277.0 – 283.0	–	10	35	142	310	340
315.0	311.0 – 318.0	–	10	35	142	345	375
323.9	320.0 – 327.0	–	6	35	142	355	385
355.0	352.0 – 359.0	–	6	35	142	385	415
400.0	396.0 – 404.0	–	6	35	142	430	460
406.4	402.0 – 410.0	–	6	35	142	440	470

¹⁾ PN (nominal pressure) is the max. admissible working pressure in shipbuilding, based on a safety factor of ≥ 4 .

²⁾ WP is the max. working pressure in industrial applications, based on a safety factor as per NORMA specification.